

# LAMAX

ELECTRONICS

---

## LAMAX W10.2

ACTION CAMERA



**EN – USER MANUAL**

**DE – BENUTZERHANDBUCH**

**CS – UŽIVATELSKÁ PŘÍRUČKA**

**SK – POUŽÍVATEĽSKÁ PRÍRUČKA**

**PL – INSTRUKCJA OBSŁUGI**

**HU – FELHASZNÁLÓI KÉZIKÖNYV**

**SL – UPORABNIŠKI PRIROČNIK**

**HR – KORISNIČKI PRIRUČNIK**

# LAMAX

ELECTRONICS

---

# LAMAX W10.2

ACTION CAMERA



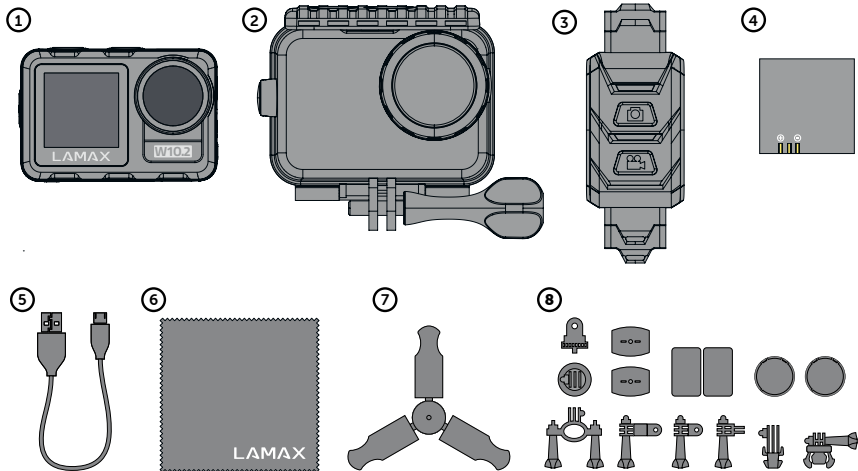
---

## CONTENTS

1. BOX CONTENTS .....	2
2. GETTING TO KNOW YOUR CAMERA.....	3
3. CAMERA CONTROLS .....	4
4. TURNING IT ON FOR THE FIRST TIME.....	4
5. VIDEO MODE SETTINGS .....	5
6. PHOTO MODE SETTINGS.....	6
7. SETTING CAMERA .....	6
8. WIFI – MOBILE APP.....	7
9. WATER RESISTANCE .....	7
10. SAFETY PRECAUTIONS.....	8

---

### 1. BOX CONTENTS



① LAMAX W10.2 Action Camera

② Case, waterproof up to 40 m

③ Remote control, waterproof up to 2 m

④ Li-ion battery

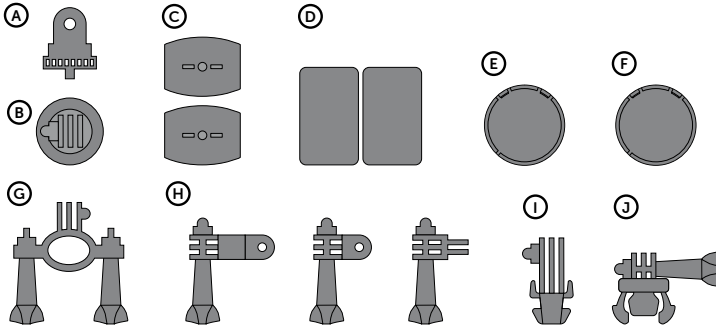
⑤ USB-C cable for charging/transferring files

⑥ Microfibre cloth

⑦ Mini tripod

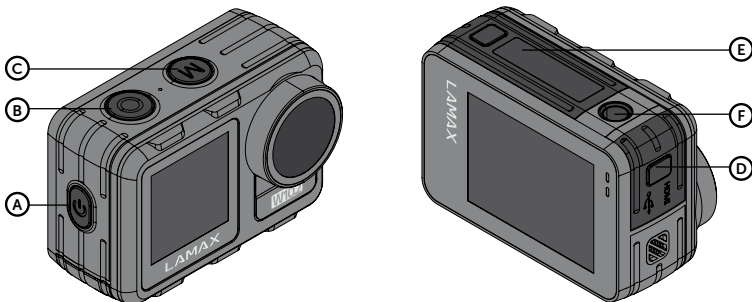
⑧ Mounts

## MOUNTS



- (A) Tripod adapter – to connect the camera without a case
- (B) Tripod adapter – to connect the camera in the case to the tripod
- (C) Adhesive mounts (2x) – to attach to a smooth surface (helmet, hood)
- (D) Spare 3M adhesive pads (2x) – to reattach the adhesive mount
- (E) Pink filter for diving
- (F) Transparent filter to protect the lens
- (G) Pole mount – to mount, for example, on handlebars
- (H) 3-axis connector (3 parts) – to mount in any direction
- (I) J mount – to quickly snap in place with elevation
- (J) Fast plug-in – to quickly snap in place









## 2. GETTING TO KNOW YOUR CAMERA



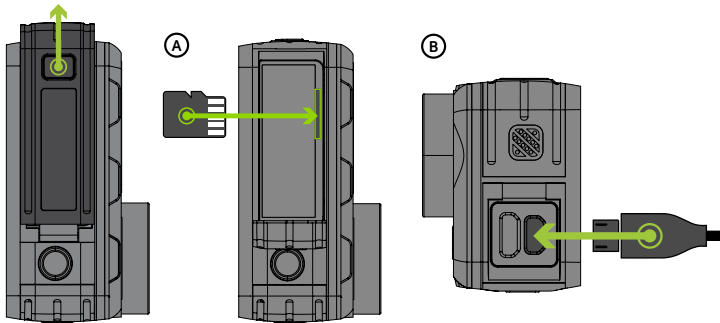
- (A) POWER button
- (B) REC button
- (C) MODE button
- (D) Cover to USB-C and micro HDMI connectors
- (E) Cover to battery and micro SD card slot
- (F) Thread for mounting the camera on a tripod or selfie stick

**Note:** Use only the recommended accessories, otherwise the camera may be damaged.

### 3. CAMERA CONTROLS

<b>Turn on / off</b>	Hold down the POWER button or swipe down and press the POWER icon
<b>Select a mode</b>	Touch the icon  or press the MODE button or drag the thumb upwards to select the desired mode
<b>Mode settings</b>	Touch the icon  or press the POWER button
<b>Settings</b>	Touch the icon 
<b>View files</b>	Touch the icon 
<b>Switch between displays</b>	Hold down the MODE button
<b>Return back</b>	Touch the icon 
<b>Turning on the remote control</b>	Swipe down and then press the remote control icon 
<b>Control lock</b>	Swipe down and then touch the lock icon 
<b>Turning off the camera</b>	Swipe down and then tap the Shutdown icon 

### 4. TURNING IT ON FOR THE FIRST TIME



#### **A) INSERT THE MICROSD CARD INTO THE CAMERA AS SHOWN (CONNECTORS TOWARDS THE LENS)**

- Only insert the card when the camera is turned off and not connected to your computer.
- Format the card directly in the camera the first time you use it.
- We recommend memory cards with a higher write speed (UHS Speed Class -U3 and higher) and a maximum capacity of 256 GB.

**Note:** Use only micro SDHC or SDXC cards from reputable manufacturers. With generic third-party cards, there is no guarantee that the data storage will work properly.

## Ⓑ CONNECT THE CAMERA TO A POWER SOURCE

- You can charge the camera by either connecting it to your computer or using an optional AC adapter.
- It takes approximately 4.5 hours to charge the battery from 0 to 100%. When charged, the charge indicator turns off.

**Note:** Charging the battery from 0 to 80% takes 2.5 hours.

## 5. VIDEO MODE SETTINGS

<b>Video resolution</b>	The resolution and FPS (frames per second) settings at which the camera will record.
<b>Loop recording</b>	When enabled, the video is divided into time segments based on the selected settings.
<b>Audio</b>	Sets whether the camera records audio.
<b>Encoding</b>	Video codec selection.
<b>LDC</b>	Fisheye reduction.
<b>Stabilization</b>	MAXsmooth stabilization on/off, available in all resolutions at a maximum of 60 FPS. When stabilized, the field of view (FOV) is smaller and can negatively affect video quality in low-light conditions. It cannot be combined with the fisheye correction feature.
<b>Metering</b>	Sets how the exposure is metered. There are three modes („Center“, „Average“ and „Spot“) to choose from. <ul style="list-style-type: none"><li>➤ Center – For shooting objects that will mainly be in the middle of the shot.</li><li>➤ Average – The camera obtains light information from the entire scene and sets average values.</li><li>➤ Spot – This setting allows you to meter a small portion of the scene, the default setting is centre. The user can use the touchscreen to select a different point from which the camera will determine the exposure.</li></ul>
<b>Exposure</b>	Exposure compensation setting. A higher value means a lighter video, a lower value means a darker video.
<b>Shutter</b>	Select the shutter speed.
<b>ISO</b>	ISO settings. Setting the ISO value determines its sensitivity to light.
<b>AWB</b>	Adjusts the white balance for different scene lighting.
<b>Scene mode</b>	Preset modes for different types of scenes.
<b>Sharpness</b>	Adjusts the sharpness of the video.
<b>Grid</b>	Displays a grid on the screen for better composition.
<b>Filter</b>	Selects the video filter.

## 6. PHOTO MODE SETTINGS

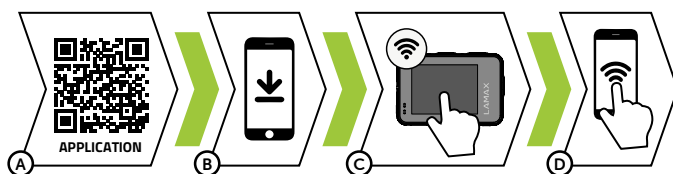
<b>Photo resolution</b>	Sets the resolution of the photos you take.
<b>LDC</b>	Fisheye reduction.
<b>Metering</b>	Sets how the exposure is metered. There are three modes („Center“, „Average“ and „Spot“) to choose from. <ul style="list-style-type: none"><li>› Center – For shooting objects that will mainly be in the middle of the shot.</li><li>› Average – The camera obtains light information from the entire scene and sets average values.</li><li>› Spot – This setting allows you to meter a small portion of the scene, the default setting is centre. The user can use the touchscreen to select a different point from which the camera will determine the exposure.</li></ul>
<b>Exposure</b>	Exposure compensation settings. A higher value means a lighter photo, a lower value means a darker photo.
<b>Shutter</b>	Select the shutter speed.
<b>ISO</b>	ISO settings. Setting the ISO value determines its sensitivity to light.
<b>AWB</b>	Adjusts the white balance for different scene lighting.
<b>Scene mode</b>	Preset modes for different types of scenes.
<b>Sharpness</b>	Adjusts the sharpness of the video.
<b>Filter</b>	Selects the video filter.
<b>Grid</b>	Displays a grid on the screen for better composition.

## 7. SETTING CAMERA


<b>WiFi</b>	Display a menu where you can turn WiFi on/off, view WiFi information or change the WiFi network name and password.
<b>Screen saver</b>	Sets the time after which the display automatically turns off to save battery. Touch the display or press the buttons to activate the display again.
<b>Auto power off</b>	Sets the camera to turn off automatically when idle. When turned of, the camera powers off if not recording video.
<b>Language</b>	Selects the language.
<b>Video format</b>	Colour encoding setting.
<b>Network frequency</b>	Enables you to select the frequency in accordance with the frequency of the grid (on the European continent there is a current with a frequency of 50 Hz, in the Americas and parts of Asia it is 60 Hz).
<b>WDR</b>	Enable/disable dynamic range.
<b>Selfie display</b>	Choose between a larger or smaller display of content on the front screen.

<b>Image rotation</b>	180° image rotation.
<b>Stamp</b>	Insert a watermark into a photo or video.
<b>Key sound</b>	Turn the sound of the keys on/off.
<b>Shutter sound</b>	Turn the shutter sound on/off.
<b>Power on sound</b>	Turn on/off the welcome tone.
<b>Date / Time</b>	Set the system date and time.
<b>SD format</b>	Erases all data on the memory card.
<b>Factory settings</b>	Reset the camera to factory settings.
<b>Information</b>	Allows access to camera firmware information.

## 8. WIFI – MOBILE APP



With the mobile app, you'll be able to change camera modes and settings or view and download recorded videos and photos directly to your mobile device.

- A Scan the QR code to download the app or click the following link:  
<https://www.lamax-electronics.com/w102/app/>
- B Install the app on your mobile device.
- C Turn on WiFi on the camera by swiping your thumb downwards and then pressing the WiFi icon .
- D On your mobile device, connect to the WiFi network named after the camera. The WiFi password is displayed on the camera screen (default: 12345678).

## 9. WATER RESISTANCE

**Resistance when immersed in water under the following conditions:**

### **ACTION CAMERA:**

The camera without a case can withstand immersion to a depth of 12 metres. Before submerging, make sure the covers on the side and bottom of the camera are properly closed. The covers and seals must be free of all debris such as dust, sand, etc. Do not open the camera covers before the camera body has dried. If used in salt water, rinse the camera with fresh water. Do not use any fabrics or external heat sources (hair dryer, microwave oven, etc.) to dry the camera; always allow the camera to dry gently.

### **WATERPROOF CASE:**

The case can resist immersion to a depth of 40 metres. Before using the camera in the case, make sure that the rear door of the case is properly closed using the mechanism on the top of the case. The case door and seal must be free of any impurities such as dust, sand and alike. When used in salt water, rinse the case with drinking water. Do not use any fabrics or external heat sources (hairdryer, microwave oven, etc.) for drying, always allow



the case to dry gradually. When in the waterproof case, the touch screen of the camera display cannot be used, and the camera must be operated using the buttons.

### **REMOTE CONTROL:**

The remote control can withstand immersion to a depth of 2 metres. Before submerging, make sure the USB cover on the bottom of the control is properly closed. Do not open the cover before the body of the remote control has dried. Do not use external heat sources (hairdryer, microwave, etc.) to dry the remote control, let it dry slowly or use a soft cloth to dry it.

## **10. SAFETY PRECAUTIONS**

**Before first use, the consumer is obliged to familiarize himself with the principles of safe use of the product.**

### **POLICIES AND NOTICES**

- To ensure your own safety, do not use the controls of this device while driving.
- When using the recorder in a car, a window holder is necessary. Place the recorder in a suitable place so that it does not obstruct the driver's view or the activation of safety features (e.g. airbags).
- The camera lens must not be blocked by anything and there must not be any reflective material near the lens. Keep the lens clean.
- If the windshield of the car is tinted with a reflective layer, it may limit the quality of the recording.

### **SECURITY PRINCIPLES**


- Do not use the charger in a highly humid environment. Never touch the charger with wet hands or while standing in water.
- When powering the device or charging the battery, leave enough space around the charger for air circulation. Do not cover the charger with papers or other objects that could impair its cooling. Do not use the charger stored in the transport package.
- Connect the charger to the correct voltage source. The voltage data is indicated on the product casing or on its packaging.
- Do not use the charger if it is obviously damaged. If the device is damaged, do not repair it yourself!
- In case of excessive heating, immediately disconnect the device from the power supply.
- Charge the device under supervision.
- The package contains small parts that can be dangerous for children. Always store the product out of the reach of children. The bags or the many parts they contain can cause suffocation if swallowed or applied to the head.

### **SAFETY NOTICE FOR LI-ION BATTERIES**

- Fully charge the battery before first use.
- For charging, use only the charger that is intended for this type of battery.
- Use standard charging cables, otherwise the device may be damaged.
- Never connect mechanically damaged or swollen batteries to the charger. Do not use the battery in this state at all, there is a risk of explosion.
- Do not use any damaged power adapter or charger.
- Charge at room temperature, never charge below 0°C or above 40°C.
- Be careful of falls, do not puncture or otherwise damage the battery. Never repair a damaged battery.
- Do not expose the charger or battery to moisture, water, rain, snow or various sprays.
- Do not leave the battery in the vehicle, do not expose it to sunlight and do not place it near heat sources. Strong light or high temperatures can damage the battery.
- Never leave batteries unattended during charging, a short circuit or accidental overcharging (of a battery not suitable for fast charging or charged with excessive current or in case of a charger failure) can cause the leakage of aggressive chemicals, explosion or subsequent fire!

- If the battery overheats while charging, disconnect the battery immediately.
- When charging, do not place the charger and the charged battery on or near flammable objects. Pay attention to curtains, carpets, tablecloths, etc.
- Once the charging device is fully charged, unplug it for safety.
- Keep the battery out of the reach of children and animals.
- Never disassemble the charger or battery.
- If the battery is integrated, never disassemble the device unless otherwise specified. Any such attempt is risky and may result in product damage and subsequent loss of warranty.
- Do not throw worn or damaged batteries into the trash can, fire, or into heating devices, but hand them in at hazardous waste collection points.
- Device maintenance

## OTHER INFORMATION

1) For households: The indicated symbol () on the product or in the accompanying documentation means that used electrical or electronic products must not be disposed of together with municipal waste. In order to properly dispose of the product, hand it in at designated collection points, where they will be accepted free of charge. By disposing of this product correctly, you help preserve valuable natural resources and help prevent potential negative impacts on the environment and human health that could result from improper waste disposal. Ask your local authority or nearest collection point for further details. Improper disposal of this type of waste may result in fines in accordance with national regulations. Information for users on the disposal of electrical and electronic equipment (company and business use): For the correct disposal of electrical and electronic equipment, ask your dealer or supplier for detailed information. Information for users for the disposal of electrical and electronic equipment in other countries outside the European Union: The above symbol (crossed out bin) is only valid in the countries of the European Union. For the correct disposal of electrical and electronic equipment, request detailed information from your authorities or equipment dealer. Everything is expressed by the crossed-out container symbol on the product, packaging or printed materials.

2) Apply for device warranty repairs at your dealer. In case of technical problems and questions, contact your dealer, who will inform you about the next procedure. Follow the rules for working with electrical devices. The user is not authorized to disassemble the device or replace any of its parts. There is a risk of electric shock when opening or removing covers. You also run the risk of electric shock if the device is assembled and reconnected incorrectly.

The warranty period for products is 24 months, unless otherwise stated. The warranty does not cover damage caused by non-standard use, mechanical damage, exposure to aggressive conditions, handling contrary to the manual and normal wear and tear. The warranty period for the battery is 24 months, for its capacity 6 months. More information about the warranty can be found at [www.elem6.com/warranty](http://www.elem6.com/warranty)

The manufacturer, importer or distributor shall not be liable for any damage caused by the installation or misuse of the product.

**EU DECLARATION OF CONFORMITY:**

The company elem6 s.r.o. hereby declares that the LAMAX W10.2 device is in compliance with the essential requirements and other relevant provisions of Directive 2014/30/EU and 2014/53/EU. All LAMAX brand products are intended for sale without restrictions in Germany, the Czech Republic, Slovakia, Poland, Hungary and other EU member states. The full Declaration of Conformity can be downloaded from <https://www.lamax-electronics.com/support/doc/>

- Frequency band in which the radio device works: 2.4 – 2.48 GHz
- Maximum radio frequency power transmitted in the frequency band in which the radio equipment is operated: 12.51 dBm

**MANUFACTURER:**

elem6 s.r.o., Braškovská 308/158, 161 00 Praha 6  
[www.lamax-electronics.com](http://www.lamax-electronics.com)



**Typographical errors and changes in the manual are reserved.**

# LAMAX

ELECTRONICS

---

# LAMAX W10.2

ACTION CAMERA



---

DE – Benutzerhandbuch

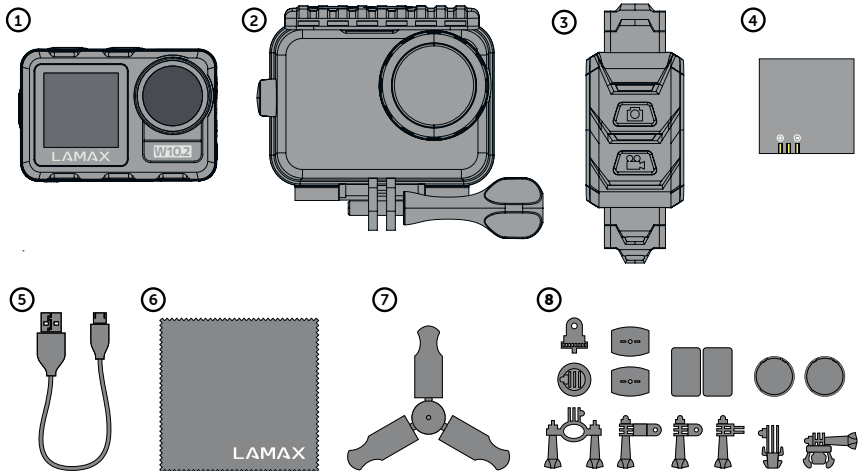
---

## INHALT

1. VERPACKUNGSIHALT .....	2
2. VORSTELLUNG DER KAMERA .....	3
3. BEDIENUNG DER KAMERA .....	4
4. ERSTE INBETRIEBNAHME .....	4
5. EINSTELLUNGEN IM VIDEO MODUS .....	5
6. EINSTELLUNGEN IM FOTO MODUS .....	6
7. KAMERA-EINSTELLUNGEN .....	6
8. WIFI – MOBILE APPLIKATION .....	7
9. WASSERDICHT .....	7
10. SICHERHEITSMASSNAHMEN .....	8

---

## 1. VERPACKUNGSIHALT



① LAMAX® W10.2 Aktionkamera

② Wasserdichte Hülle bis 40 m

③ Fernbedienung wasserdicht bis 2 m

④ Li-ion Batterie

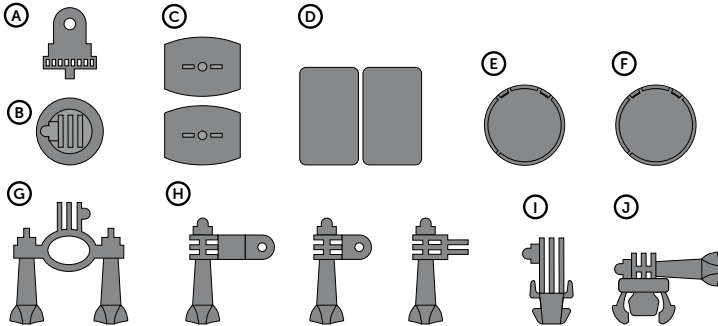
⑤ USB-C Ladekabel/Datenkabel

⑥ Mikrofaser Tuch

⑦ Mini-Stativ

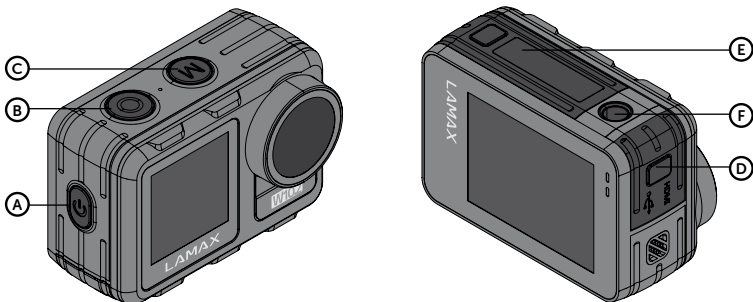
⑧ Halterungen

## HALTERUNGEN



- A** Stativreduktion – zur Befestigung der Kamera ohne Hülle am Zubehör
- B** Stativadapter – zur Befestigung der Kamera mit Hülle am Stativ
- C** Selbstklebende Halterung (2x) – zur Befestigung auf glatten Oberflächen (Helm, Motorhaube)
- D** 3M Ersatz Klebepads (2x) – für ein erneutes Aufkleben der Klebehalterung
- E** Rosa Filter zum Tauchen
- F** Klarer Filter zum Schutz des Objektivs
- G** Halterung für Stangen – zum Beispiel zur Befestigung an einem Fahrradlenker
- H** 3-axis connector (3 Teile) – zur Befestigung in beliebiger Richtung
- I** J mount – für ein schnelles Einrasten mit höherer Position
- J** Fast plug-in – für ein schnelles einrasten der Halterung









## 2. VORSTELLUNG DER KAMERA



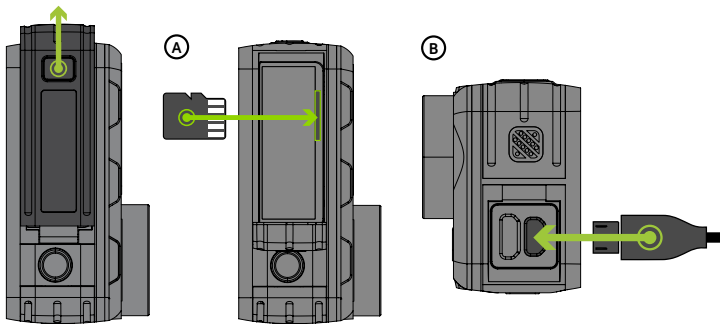
- A** POWER Taste
- B** REC Taste
- C** MODE Taste
- D** Tür zu USB-C- und Micro-HDMI-Anschlüssen
- E** Tür zum Batteriefach und Micro-SD-Kartensteckplatz
- F** Gewinde zum Befestigen der Kamera am Stativ oder Selfie-Stick

**Anmerkung:** Verwenden Sie nur empfohlenes Zubehör, sonst könnte die Kamera beschädigt werden.

### 3. BEDIENUNG DER KAMERA

<b>Ein- und Ausschalten</b>	Halten Sie die POWER-Taste gedrückt oder streichen Sie mit dem Daumen nach unten und drücken Sie dann das POWER-Symbol
<b>Wahl des Modus</b>	Berühren Sie das Symbol  , drücken Sie die Taste MODE oder wischen Sie nach oben, um den gewünschten Modus auszuwählen
<b>Modus-Einstellung</b>	Berühren Sie das Symbol  oder die Taste POWER
<b>Einstellungen</b>	Berühren Sie das Symbol 
<b>Dateiansicht</b>	Berühren Sie das Symbol 
<b>Umschalten zwischen den Displays</b>	Halten Sie die Taste MODE gedrückt
<b>Zurück</b>	Berühren des Symbols 
<b>Einschalten der Fernbedienung</b>	Wischen Sie nach unten und klicken Sie dann auf das Symbol für die Fernbedienung 
<b>Kontrollsperr</b>	Indem Sie mit dem Finger nach unten wischen und dann das Schlosssymbol berühren 
<b>Ausschalten der Kamera</b>	Durch Wischen nach unten und anschließendes Berühren des Ausschaltensymbols 

### 4. ERSTE INBETRIEBNAHME



#### **A) LEGEN SIE DIE MICRO SD KARTE SO WIE IN DER ABBILDUNG DARGESTELLT EIN (MIT DER STECKVERBINDUNG ZUM KAMERAOBJEKTIV)**

- Legen Sie die Karte nur dann ein, wenn die Kamera ausgeschaltet und nicht mit einem Computer verbunden ist.
- Formatieren Sie die Karte bei erstmaliger Verwendung direkt in der Kamera.
- Wir empfehlen Speicherkarten mit einer höheren Schreibgeschwindigkeit (UHS Speed Class –U3 und höher) und einer maximalen Kapazität von 256 GB.

**Anmerkung:** Verwenden Sie nur Micro SDHC oder SDXC Karten renommierter Hersteller. Karten der Nicht-Markenproduzenten gewährleisten keine richtige Funktion des Datenspeicherplatzes.

## Ⓑ VERBINDEN SIE DIE KAMERA MIT DER STROMVERSORGUNG

- Die Kamera können Sie sowohl durch das Anschließen an einen PC, als auch mithilfe eines Netzteils aufladen.
- Das Aufladen der Batterie von 0 auf 100 % dauert ungefähr 4,5 Stunden. Nachdem die Batterie geladen ist, erlischt die Ladestandanzeige.

**Anmerkung:** Das Aufladen der Batterie von 0 auf 80 % dauert 2,5 Stunden.

## 5. EINSTELLUNGEN IM VIDEO MODUS

<b>Videoauflösung</b>	Einstellung der Auflösung und FPS (Aufnahmen pro Sekunde) mit der die Kamera aufnehmen wird.
<b>Zyklische Aufzeichnung (Schleife)</b>	Wenn diese Option aktiviert ist, wird das Video entsprechend der gewählten Einstellung in Zeitssegmente unterteilt.
<b>Tonaufzeichnung</b>	Einstellung, ob die Kamera auch den Ton aufnehmen soll.
<b>Codierung</b>	Auswahl des Videocodexs.
<b>LDC</b>	Fischauge-Korrektur.
<b>Stabilisierung</b>	Ein/aus MAXsmooth Stabilisierung, die bei allen Auflösungen mit maximal 60 fps verfügbar ist. Bei eingeschalteter Stabilisierung ist der Aufnahmewinkel (FOV) kleiner und kann bei schlechten Lichtverhältnissen die Videoqualität negativ beeinflussen. Kann nicht mit der Funktion der Korrektur des Fischauges kombiniert werden.
<b>Metering</b>	Einstellung der Art der Expositionsmessung. Es gibt drei Möglichkeiten „Mittel“, „Durchschnitt“ und „Spot“. <ul style="list-style-type: none"><li>➤ Mittel – Diese Einstellung eignet sich für Aufnahmen von Objekten, die sich überwiegend in der Mitte der Aufnahme befinden werden.</li><li>➤ Durchschnitt – Bei dieser Einstellung sammelt die Kamera Informationen über die Beleuchtung der gesamten Szene und stellt die Durchschnittswerte ein.</li><li>➤ Spot – Mit dieser Einstellung können Sie einen kleinen Teil der Szene messen, die Standardeinstellung ist die Mitte. Über den Touchscreen kann der Benutzer einen anderen Punkt auswählen, von dem aus die Kamera die Belichtung bestimmt.</li></ul>
<b>Exposition</b>	Einstellung der Kompensation der Exposition. Ein höherer Wert bedeutet ein helleres Video, ein niedriger Wert ein dunkleres Video.
<b>Verschluss</b>	Auswahl der Verschlusszeit.
<b>ISO</b>	Einstellung des ISO Wertes. Der eingestellte ISO Wert legt die Lichtempfindlichkeit fest. Je höher der Wert, umso heller die Aufnahme.
<b>AWB</b>	Stellen Sie den Weißabgleich für verschiedene Beleuchtungsarten der Szene ein.
<b>Szene-Modus</b>	Voreingestellte Modi für verschiedene Arten von Szenen.
<b>Schärfe</b>	Einstellung der Videoschärfe.
<b>Raster</b>	Zeigt ein Raster auf dem Display an, um die Komposition zu verbessern.
<b>Filter</b>	Auswahl des Videofilters.



## 6. EINSTELLUNGEN IM FOTO MODUS

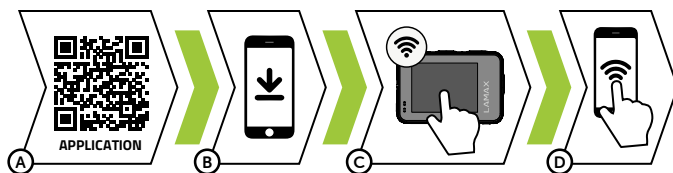
<b>Foto Auflösung</b>	Einstellung der Auflösung der gemachten Fotos.
<b>LDC</b>	Fischaugenverkleinerung.
<b>Metering</b>	Einstellung der Art der Expositionsmessung. Es gibt drei Möglichkeiten „Mittel“, „Durchschnitt“ und „Spot“. <ul style="list-style-type: none"><li>› Mittel – Diese Einstellung eignet sich für Aufnahmen von Objekten, die sich überwiegend in der Mitte der Aufnahme befinden werden.</li><li>› Durchschnitt – Bei dieser Einstellung sammelt die Kamera Informationen über die Beleuchtung der gesamten Szene und stellt die Durchschnittswerte ein.</li><li>› Spot – Mit dieser Einstellung können Sie einen kleinen Teil der Szene messen, die Standardeinstellung ist die Mitte. Über den Touchscreen kann der Benutzer einen anderen Punkt auswählen, von dem aus die Kamera die Belichtung bestimmt.</li></ul>
<b>Exposition</b>	Einstellung der Kompensation der Exposition. Ein höherer Wert bedeutet ein helleres Video, ein niedriger Wert ein dunkleres Video.
<b>Verschluss</b>	Auswahl der Verschlusszeit.
<b>ISO</b>	Einstellung des ISO Wertes. Der eingestellte ISO Wert legt die Lichtempfindlichkeit fest. Je höher der Wert, umso heller die Aufnahme.
<b>AWB</b>	Stellen Sie den Weißabgleich für verschiedene Beleuchtungsarten der Szene ein.
<b>Szene-Modus</b>	Voreingestellte Modi für verschiedene Arten von Szenen.
<b>Schärfe</b>	Einstellung der Videoschärfe.
<b>Filter</b>	Auswahl des Videofilters.
<b>Raster</b>	Zeigt ein Raster auf dem Display an, um die Komposition zu verbessern.

## 7. KAMERA-EINSTELLUNGEN


<b>WiFi</b>	Zeigt ein Menü an, in dem Sie WiFi ein- und ausschalten können. Informationen über WiFi anzeigen. Oder den Netzwerknamen oder das WiFi-Passwort ändern.
<b>Bildschirmschoner</b>	Einstellung des Zeitraumes, nach dem sich das Display abschaltet um Batterie zu sparen. Durch Berühren des Displays oder Drücken der Tasten wird das Display erneut aktiviert.
<b>Automatisches Abschalten</b>	Einstellung der automatischen Abschaltung der Kamera, wenn diese nicht benutzt wird. Wenn die Funktion eingestellt ist, wird die Kamera ausgeschaltet, wenn keine Aufnahmen gemacht werden.
<b>Sprache</b>	Auswahl der Sprache.
<b>Video-Format</b>	Auswahl der Farbkodierung.
<b>Netzfrequenz</b>	Ermöglicht, die Frequenz in Übereinstimmung mit der Frequenz des Verteilungsnetzes zu wählen (in Europa 50 Hz, in Amerika und Asien sind es 60 Hz).

<b>WDR</b>	Aktivieren/Deaktivieren des Dynamikbereichs.
<b>Lautstärke</b>	Stellen Sie die Mikrofonlautstärke ein.
<b>Selfie-Display</b>	Wählen Sie zwischen einer größeren oder kleineren Ansicht des Inhalts auf dem vorderen Display.
<b>Bilddrehung</b>	Bilddrehung um 180°.
<b>Stempel</b>	Einfügen eines Wasserzeichens in ein Foto oder Video.
<b>Tastenton</b>	Ein-/Ausschalten des Tons der Tasten.
<b>Verschluss</b>	Ein-/Ausschalten des Verschlussstons.
<b>Einschaltton</b>	Ein-/Ausschalten des Begrüßungstons.
<b>Datum Uhrzeit</b>	Einstellen des Systemdatums und der Uhrzeit.
<b>Formatieren</b>	Löschen aller Daten auf der Speicherkarte.
<b>Werkseinstellungen</b>	Option zum Zurücksetzen der Kamera auf die Werkseinstellungen.
<b>Informationen</b>	Ermöglicht den Zugriff auf Informationen über die Kamera-Firmware.

## 8. WIFI – MOBILE APPLIKATION



Dank der mobilen Applikation können Sie den Modus und die Einstellungen der Kamera ändern oder gemachte Videos und Fotos direkt in Ihrem mobilen Gerät betrachten.

- Scannen Sie den QR Code um die Applikation herunterzuladen oder klicken Sie auf den folgenden Link:  
<https://www.lamax-electronics.com/w102/app/>
- Installieren Sie die Applikation in Ihrem mobilen Gerät.
- Schalten Sie WiFi auf der Kamera ein, indem Sie mit dem Daumen nach unten streichen und dann auf das WiFi-Symbol drücken .
- Verbinden Sie Ihr mobiles Gerät mit dem WiFi Netz mit dem Namen der Kamera. Das WiFi Passwort wird auf dem Kameradisplay angezeigt (werkseitig 1234567890).

## 9. WASSERDICHT

**Das Gerät ist unter folgenden Bedingungen wasserdicht:**

### **ACTION CAM:**

Die Kamera ohne Hülle ist bis zu einer Tiefe von 12 Metern tauchfest. Vergewissern Sie sich, dass die Abdeckungen an der Seite und an der Unterseite der Kamera vor dem Eintauchen richtig geschlossen sind. Abdeckungen und Dichtungen müssen frei von allen Verunreinigungen wie Staub, Sand usw. sein. Öffnen Sie die Kameraabdeckungen nicht, bevor das Kameragehäuse trocken ist. Bei Verwendung in Salzwasser ist die Kamera

mit Trinkwasser abzuspülen. Verwenden Sie zum Trocknen keine Textilien oder externe Wärmequellen (Haartrockner, Mikrowelle usw.), lassen Sie die Kamera immer langsam trocknen.

### **WASSERDICHTHE HÜLLE:**

Die Hülle ist für Wassertiefen von bis zu 40 Metern geeignet. Bevor Sie die Kamera mit der Hülle verwenden, vergewissern Sie sich, dass die rückwärtige Abdeckung der Hülle mit dem Mechanismus auf der Oberseite der Hülle verschlossen ist. Die Abdeckungen und Türchen müssen frei von Verunreinigungen, wie Staub, Sand und Ähnlichem sein. Wenn Sie die Kamera in Salzwasser verwenden, sollten Sie diese nach dem Gebrauch mit Trinkwasser abspülen. Verwenden Sie zum Abtrocknen keine Textilien oder externe Wärmequellen (Fön, Mikrowelle u.Ä.), lassen Sie die Hülle immer von alleine trocknen. Wenn die wasserdichte Hülle verwendet wird, kann das Touch Display der Kamera nicht verwendet werden und die Kamera muss mit Hilfe der Tasten bedient werden.

### **FERNBEDIENUNG:**

Die Fernbedienung ist bis zu einer Tiefe von 2 Metern tauchfest. Vergewissern Sie sich, dass die USB-Abdeckung an der Unterseite der Bedienung vor dem Eintauchen richtig geschlossen ist. Öffnen Sie die Abdeckung nicht, bevor das Gehäuse der Fernbedienung getrocknet ist. Verwenden Sie zum Trocknen der Fernbedienung keine externen Wärmequellen (Haartrockner, Mikrowelle usw.), sondern lassen Sie sie langsam trocknen oder verwenden Sie ein weiches Tuch zum Trocknen.

## **10. SICHERHEITSMASSNAHMEN**

**Der Kunde verpflichtet sich zuerst den sicheren Gebrauch des Produktes zu aus der Bedienungsanleitung zu erlernen.**

### **WARNUNGEN, INFORMATIONEN UND SICHERHEITSMASSNAHMEN**

- Aus Sicherheitszwecken bedienen Sie die Kamera nicht während sie ein Fahrzeug führen.
- Wenn Sie die Kamera im Auto benutzen möchten ist eine Saugnapfhalterung nötig. Die Kamera muss an einer geeigneten Stelle angebracht werden um die Sicht des Fahrers nicht zu behindern und Sicherheitsrelevante Systeme wie Airbags nicht zu behindern oder zu stören.
- Das Objektiv der Kamera darf nicht verdeckt sein und in der Nähe sollten sich keine reflektierenden Materialien befinden. Halten Sie das Objektiv sauber.
- Wenn die Windschutzscheibe mit einer reflektierenden Schicht verfärbt ist kann die Qualität der Videoaufnahme niedriger sein.

### **SICHERHEITSHINWEISE**

- Ladegerät nicht in sehr feuchter Umgebung benutzen. Fassen Sie das Gerät nie an wenn Sie nasse Hände oder im Wasser stehen.
- Wenn das Gerät geladen oder mit Strom versorgt wird oder lassen Sie genügend Abstand zu anderen Gegenständen um ein ausreichende Lüftung zu gewährleisten. Decken Sie das Ladegerät nicht mit Papieren oder anderen Materialien zu um die Kühlung nicht zu behindern. Benutzen Sie das Ladegerät nicht in der Verpackung.
- Das Ladegerät immer an die richtige Netzspannung anschließen. Einspeise Spannung finden Sie auf dem Gerät oder auf der Verpackung.
- Ladegerät nicht benutzen wenn es augenscheinlich beschädigt ist. Versuchen Sie das Gerät nicht selber reparieren.
- Wenn das Gerät zu heiß werden sollte, sofort von der Stromzufuhr trennen.
- Der Packungsinhalt beinhaltet kleine Teile, die eine Gefahr für Kinder darstellen können. Bewahren Sie das Produkt stets außerhalb der Reichweite von Kindern auf. Die Verpackung und Enthaltene Kleinteile können bei Verschlucken eine Erstickungsgefahr darstellen.

### **SICHERHEITSHINWEISE ZU LITHIUM-IONEN-AKKUS**

- Laden Sie vor der ersten Verwendung den Akku vollständig auf.
- Verwenden Sie zum Laden nur Ladegeräte, welche für diesen Gerätetyp bestimmt sind.


- Verwenden Sie nur zugelassene Ladekabel, ansonsten riskieren Sie eine Beschädigung des Geräts.
- Laden Sie das Gerät niemals, wenn es beschädigt ist, oder der Akku angeschwollen ist. Verwenden Sie niemals beschädigte Akkus, da sonst Explosionsgefahr besteht.
- Verwenden Sie niemals beschädigte Ladegeräte, oder Ladeadapter.
- Laden Sie das Gerät bei Raumtemperatur, niemals bei unter 0°C, oder bei über 40°C.
- Lassen Sie den Akku niemals fallen, versuchen Sie niemals den Akku zu öffnen oder zu verändern. Versuchen Sie niemals einen beschädigten Akku zu reparieren.
- Bringen Sie den Akku niemals in Kontakt mit Feuchtigkeit, Wasser, Regen, Schnee, oder jeglicher Form von Flüssigkeit.
- Lassen Sie den Akku niemals unbeaufsichtigt im Auto, oder setzen ihn direkter Sonneneinstrahlung bzw. übermäßiger Hitze aus. Bei übermäßiger Sonneneinstrahlung oder Hitzeeinwirkung kann es zu Beschädigungen kommen und es besteht Explosionsgefahr.
- Lassen Sie den Akku während des Ladevorgangs niemals unbeaufsichtigt, schließen Sie den Akku niemals kurz oder überladen ihn. Akkus die unsachgemäß geladen werden, oder während des Ladevorgangs Stößen ausgesetzt sind, können auslaufen und gefährliche Chemikalien freisetzen die zu Verätzungen oder sogar Feuer führen können.
- Trennen Sie bei Auftreten von übermäßiger Hitze den Akku umgehend vom Ladegerät und verwenden Sie diesen nicht mehr.
- Verwenden Sie das Ladegerät und den ladenden Akku niemals in der Nähe von brennbaren Objekten wie z.B. Vorhängen, Tischdecken, etc.
- Nachdem der Akku vollständig aufgeladen ist, trennen Sie diesen aus Sicherheitsgründen vom Ladegerät.
- Bewahren Sie den Akku stets außerhalb der Reichweite von Kindern oder Tieren auf.
- Nehmen Sie das Ladegerät oder den Akku niemals auseinander. Falls der Akku im Gerät integriert ist, versuchen Sie niemals den Akku aus dem Gerät zu entfernen oder auszubauen. Zusätzlich zu den oben beschriebenen Gefahren verfällt hierdurch auch die Garantie Ihres Geräts.
- Entsorgen Sie Akkus niemals im normalen Hausmüll oder werfen ihn in ein Feuer. Entsorgen Sie Akkus stets bei den dafür vorgesehenen Sammelstellen für Gefahrgut.

## **GERÄTEPFLEGE**

- Eine gute Gerätepflege sichert Ihnen einen einwandfreien Betrieb, Langlebigkeit und mindert das Risiko von Beschädigungen.
- Halten Sie das Gerät fern von extremer Feuchtigkeit und Temperaturen, setzen Sie das Gerät langfristig nicht ultravioletter und Sonneneinstrahlung aus.
- Vermeiden Sie starke Schläge und Fall des Gerätes.
- Setzen Sie das Gerät keinen extremen Temperaturschwankungen aus. Dies könnte zu Kondenswasserbildung im inneren des Geräts führen und das Gerät beschädigen. Bei Kondenswasserbildung lassen Sie das Gerät vor weiterer Inbetriebnahme mehrere Tage gründlich trocknen.
- Die Displayoberfläche kann leicht verkratzen. Nicht mit scharfen Gegenständen berühren.
- Gerät nicht putzen wenn eingeschaltet. Um das Display und die Kamera zu reinigen benutzen Sie ein fusselfreies feines Tuch. Display nicht mit Papiertaschentüchern reinigen.
- Versuchen Sie nie die Kamera auseinander zu nehmen, selber zu reparieren oder sonst wie zu verändern. In allen Fällen von Demontage oder anderen Änderungen des Geräts verfällt die Garantie und es kann zu Verletzungen oder sogar Schäden an Eigentum kommen.
- Lagern und transportieren Sie das Gerät oder seine Teile nicht in der Nähe von brennbaren Materialien, Flüssigkeiten, Gasen oder Sprengmaterial.
- Um Diebstahl vorzubeugen lassen Sie das Gerät oder Zubehör sichtbar im Auto ohne Aufsicht.
- Überhitzung kann das Gerät beschädigen.
- Laden Sie das Gerät nur unter Aufsicht.
- Wenn die Autokamera mit stark chlorhaltigem oder mit Salzwasser in Berührung kommt, spülen Sie sie mit Trinkwasser ab und trocknen Sie sie ab.
- Verwenden Sie keine externen Wärmequellen zum Austrocknen der Autokamera, wie beispielsweise eine Mikrowelle oder einen Fön.

- Kontrollieren Sie vor dem Schwimmen oder dem Tauchen immer, dass das Batteriefach oder die Ladeport-Abdeckung nicht geöffnet sind. Falls doch, schließen Sie sie. Sonst wird die Autokamera nicht wasserdicht sein.
- Reinigen Sie den Touch-Screen nur mit einem Tuch, das dafür bestimmt ist und verhindern Sie damit das Zerkratzen.

## WEITERE ANGABEN

1) Für Haushalte: Das angeführte Symbol () auf dem Gerät oder in der begleitenden Dokumentation bedeutet, dass die gebrauchten elektrischen oder elektronischen Produkte nicht zusammen mit dem Restmüll entsorgt werden dürfen. Damit sie ordnungsgemäß entsorgt werden können, geben Sie sie bitte an der dafür bestimmten Sammelstellen ab, wo sie kostenlos angenommen werden. Durch die richtige Entsorgung dieses Produkts helfen Sie, die wertvollen natürlichen Rohstoffe zu erhalten und dem potentiellen negativen Einfluss auf die Umwelt und die menschliche Gesundheit, die die negativen Folgen einer falschen Entsorgung darstellen, vorzubeugen. Erfragen Sie weitere Details bei der lokalen Behörde oder bei der nächsten Sammelstelle. Bei einer falschen Entsorgung dieser Produktarten können Ihnen gemäß den lokalen Vorschriften Geldbußen auferlegt werden. Informationen für die Entsorgung der elektrischen oder elektronischen Geräten (Nutzung seitens Firmen und Unternehmen): Erfragen Sie detaillierte Informationen über die Entsorgung der elektrischen und elektronischen Geräte bei Ihrem Händler oder Lieferanten. Informationen über die Entsorgung der elektrischen und elektronischen Geräte für die Benutzer aus anderen Ländern außerhalb der Europäischen Union: Das oben angeführte Symbol (durchgestrichene Mülltonne) ist nur in den Ländern der Europäischen Union gültig. Für eine ordnungsgemäße Entsorgung der elektrischen und elektronischen Geräte erfragen Sie detaillierte Informationen bei Ihren Behörden oder Händlern. Das Symbol der durchgestrichenen Mülltonne steht für alle oben aufgeführten Vorschriften.

2) Machen Sie die Garantiereparaturen des Geräts bei Ihrem Händler geltend. Bei technischen Problemen und Fragen setzen Sie sich mit Ihrem Händler in Verbindung, der Sie über das weitere Vorgehen informieren wird. Halten Sie sich an die Regeln des Umgangs mit Gerät. Der Benutzer ist nicht berechtigt, die Geräte auseinanderzunehmen und oder irgendeinen Teil von ihnen auszuwechseln. Beim Auseinandernehmen oder Abnehmen des Gehäuses droht das Risiko einer Verletzung durch einen Stromschlag. Bei einer nicht korrekten Zusammensetzung des Geräts und dessen nachfolgenden Anschluss an die Stromversorgung setzen Sie sich auch dem Risiko einer Stromverletzung aus.

Die Garantie für die Produkte beträgt 24 Monate, wenn nicht anders festgelegt. Die Garantie bezieht sich nicht auf Beschädigungen, die durch eine nicht dem Standard entsprechende Nutzung, mechanische Schäden, aggressive Bedingungen, eine Verwendung im Widerspruch zur Bedienungsanleitung und den normalen Gebrauch werden. Die Garantie auf die Batterie beträgt 24 Monate, für die Kapazität 6 Monate. Weitere Informationen zur Garantie finden Sie unter [www.elem6.com/warranty](http://www.elem6.com/warranty).

Der Hersteller, Importeur und auch der Vertreiber haften nicht für Schäden, die durch eine Montage oder falsche Verwendung des Produktes verursacht werden.

## EU-KONFORMITÄTSERKLÄRUNG:

Die Firma elem6 s.r.o. erklärt hiermit, dass der LAMAX W10.2 mit den grundlegenden Anforderungen und anderen und anderen einschlägigen Bestimmungen der Richtlinien 2014/30/EU und 2014/53/EU entspricht. Es ist zum uneingeschränkten Verkauf in Deutschland, der Tschechischen Republik, der Slowakei, Polen, Ungarn und anderen Mitgliedstaaten bestimmt. Die vollständige Konformitätserklärung kann unter <https://www.lamax-electronics.com/support/doc/> heruntergeladen werden.

- Frequenzbereich in denen das Radiogerät operiert: 2.4–2.48 GHz
- Maximale Radiofrequenzstärke, die über den/die Frequenzbereich des Geräts abgestrahlt wird: 12,51 dBi

## HERSTELLER:

elem6 s.r.o., Braškovská 308/158, 161 00 Praha 6  
[www.lamax-electronics.com](http://www.lamax-electronics.com)



**Druckfehler und Änderungen in der Betriebsanleitung sind vorbehalten.**

# LAMAX

ELECTRONICS

---

# LAMAX W10.2

ACTION CAMERA



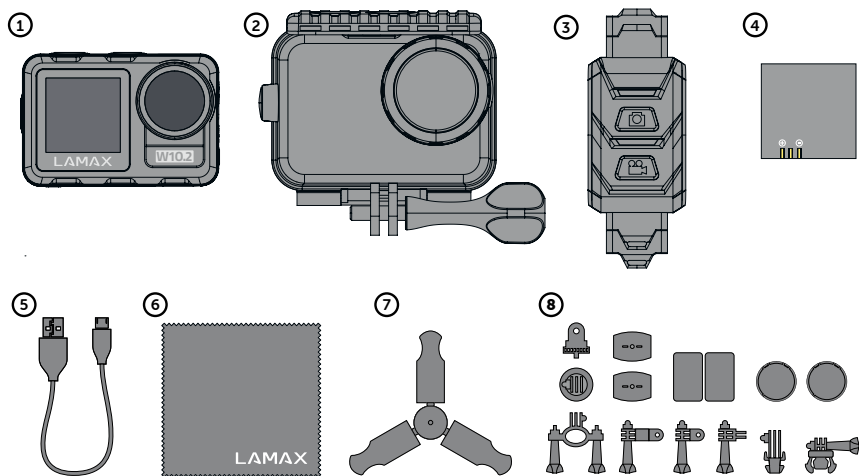
---

CS – Uživatelská příručka

## OBSAH

1. OBSAH BALENÍ.....	2
2. SEZNÁMENÍ S KAMEROU.....	3
3. OVLÁDÁNÍ KAMERY.....	4
4. PRVNÍ ZAPNUTÍ.....	4
5. NASTAVENÍ V REŽIMU VIDEO.....	5
6. NASTAVENÍ V REŽIMU FOTOGRAFIE.....	6
7. NASTAVENÍ KAMERY.....	6
8. WIFI – MOBILNÍ APLIKACE.....	7
9. VODOTĚSNOST.....	7
10. BEZPEČNOSTNÍ OPATŘENÍ.....	8

## 1. OBSAH BALENÍ



① Akční kamera LAMAX W10.2

② Vodotěsný obal do 40 m

③ Dálkové ovládání vodotěsné do 2 m

④ Li-ion baterie

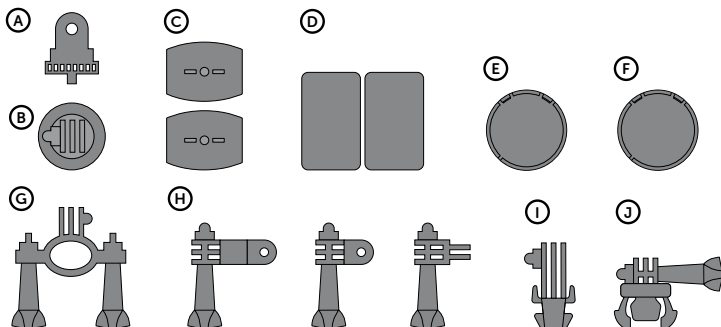
⑤ USB-C kabel pro nabíjení/přenos souborů

⑥ Utěrka z mikrovlákna

⑦ Mini stativ

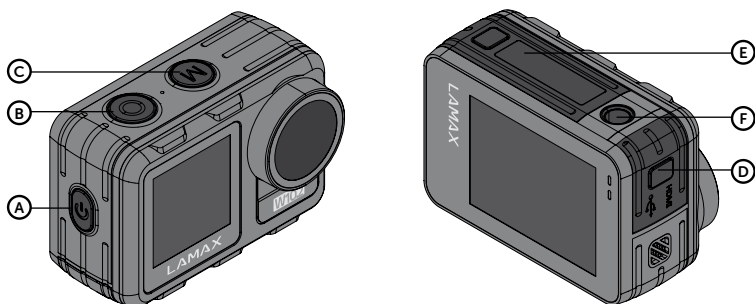
⑧ Úchyty

## ÚCHYTY



- A Redukce na stativ – pro připojení kamery bez pouzdra na příslušenství
- B Adaptér na stativ – pro připojení kamery v pouzdra na stativ
- C Samolepící držák (2x) – pro uchycení na hladký povrch (helma, kapota)
- D Náhradní 3M podložky (2x) – pro opětovné nalepení samolepícího držáku
- E Růžový filtr na potápění
- F Čirý filtr na ochranu objektivu
- G Držák na tyč – pro upevnění například na řídítka
- H 3-axis connector (3 části) – pro upevnění libovolným směrem
- I J mount – pro rychlé navaknutí s vyvýšením
- J Fast plug-in – pro rychlé navaknutí držáku

## 2. SEZNÁMENÍ S KAMEROU







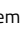
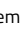


- A Tlačítko POWER
- B Tlačítko REC
- C Tlačítko MODE
- D Dvířka ke konektorům USB-C a micro HDMI
- E Dvířka k baterii a slotu na micro SD kartu
- F Závít pro upevnění kamery na stativ nebo selfie tyč

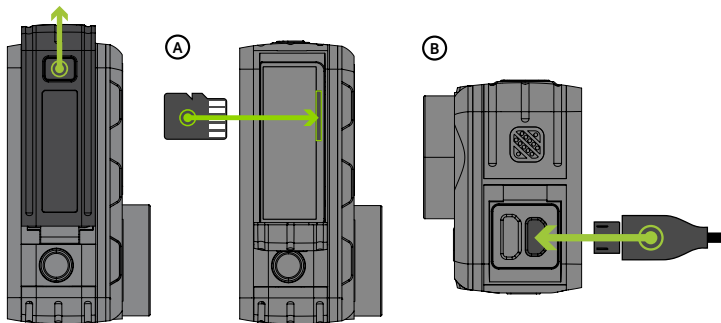
**Poznámka:** Používejte pouze doporučené příslušenství, v opačném případě může dojít k poškození kamery.



### 3. OVLÁDÁNÍ KAMERY

<b>Zapnutí a vypnutí</b>	Podržením tlačítka POWER nebo potažením palce směrem dolů a následné stlačení ikony POWER
<b>Zvolení režimu</b>	Dotykem na ikonu  , tlačítkem „MODE“ nebo potažením palce nahoru, kde následně zvolíte požadovaný režim
<b>Nastavení režimu</b>	Dotykem na ikonu  nebo tlačítkem „POWER“
<b>Nastavení</b>	Dotykem na ikonu 
<b>Prohlížení souborů</b>	Dotykem na ikonu 
<b>Přepínání mezi displeji</b>	Podržením tlačítka „MODE“
<b>Návrat zpět</b>	Dotykem na ikonku 
<b>Zapnutí dálkového ovládání</b>	Potažením prstem směrem dolů a následným kliknutím na ikonku Dálkového ovladače 
<b>Uzamčení ovládání</b>	Potažením prstem směrem dolů a následným dotykem na ikonku zámku 
<b>Vypnutí kamery</b>	Potažením prstem směrem dolů a následným dotykem na ikonku Vypnutí 

### 4. PRVNÍ ZAPNUTÍ



#### A VLOŽTE MICROSD KARTU DO KAMERY PODLE OBRÁZKU (KONEKTORY SMĚREM K OBJEKTIVU)

- Ve spodní části kamery stlačte pojistné tlačítko. Posuňte dvířka směrem ven a otevřete.
- Kartou vkládejte jen, když je kamera vypnutá a není připojená k počítači.
- Kartou při prvním použití zformátujte přímo v kameře.
- Doporučujeme paměťové karty s vyšší zapisovací rychlostí (UHS Speed Class –U3 a vyšší) a maximální kapacitou 256 GB.

**Poznámka:** Používejte jen Micro SDHC či SDXC karty od renomovaných výrobců. Karty neznackových výrobců nezaručují správné fungování datového úložiště.

## ⓑ PŘIPOJTE KAMERU K NAPÁJENÍ

- › Kameru můžete nabíjet jak připojením k počítači, tak pomocí dokoupitelného síťového adaptéru.
- › Před prvním použitím baterii plně nabijte.
- › Nabítí baterie z 0 na 100 % trvá přibližně 4,5 hod. Po nabití zhasne indikátor nabíjení.

**Poznámka:** Nabítí baterie z 0 na 80 % trvá 2,5 hod.

## 5. NASTAVENÍ V REŽIMU VIDEO

<b>Rozlišení</b>	Nastavení rozlišení a FPS (snímků za vteřinu) ve kterém kamera bude nahrávat.
<b>Cyklické nahrávání (Smyčka)</b>	Pokud je zapnuto, video se rozdělí do časových segmentů dle výběru nastavení.
<b>Zvuk</b>	Nastavení, zda má kamera nahrávat zvuk.
<b>Kódování</b>	Zvolení video kodeku.
<b>LDC</b>	Redukce rybiho oka.
<b>Stabilizace</b>	Zapnutí/vypnutí MAXsmooth stabilizace, která je dostupná ve všech rozlišeních při maximálně 60 fps. Při zapnuté stabilizaci je úhel záběru (FOV) menší a také může při horších světelných podmínkách negativně ovlivnit kvalitu videa. Nelze kombinovat s funkcí korekce rybiho oka.
<b>Měření</b>	Nastavení způsobu měření expozice. Na výběr je ze tří režimů „Střed“, „Průměr“ a „Spot“. <ul style="list-style-type: none"><li>› Střed – Toto nastavení je vhodné pro natáčení objektů, které se budou převážně nacházet uprostřed záběru.</li><li>› Průměr – V tomto nastavení kamera získá informace o světle z celé scény a nastaví průměrné hodnoty.</li><li>› Spot – Toto nastavení umožní změřit malou část scény, vychází nastavení je střed. Uživatel pomocí dotykové obrazovky může zvolit jiný bod, ze kterého kamera určí expozici.</li></ul>
<b>Expozice</b>	Nastavení kompenzace expozice. Vyšší hodnota znamená světlejší video, nižší hodnota tmavší video.
<b>Závěrka</b>	Zvolení rychlosti závěrky.
<b>ISO</b>	Nastavení hodnoty ISO. Nastavená hodnota ISO určí citlivost na světlo. Čím vyšší hodnota, tím světlejší snímek.
<b>AWB</b>	Nastavení vyvážení bílé barvy pro různé způsoby osvětlení scény.
<b>Režim scény</b>	Předvolené režimy nastavení pro různé typy scén.
<b>Ostrost</b>	Nastavení ostrosti videa.
<b>Mřížka</b>	Zobrazí na displeji mřížku pro lepší kompozici.
<b>Filtr</b>	Zvolení filtru videa.

## 6. NASTAVENÍ V REŽIMU FOTOGRAFIE

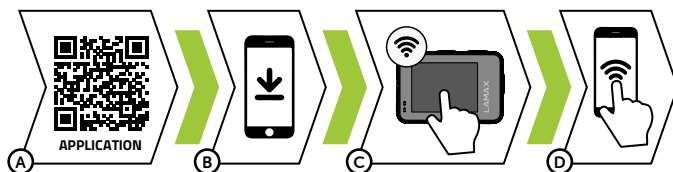
<b>Rozlišení</b>	Nastavení rozlišení pořizovaných fotografií.
<b>LDC</b>	Redukce rybiho oka.
<b>Měření</b>	Nastavení způsobu měření expozice. Na výběr je ze tří režimů „Střed“, „Průměr“ a „Spot“. <ul style="list-style-type: none"><li>› Střed – Toto nastavení je vhodné pro natáčení objektů, které se budou převážně nacházet uprostřed záběru.</li><li>› Průměr – V tomto nastavení kamera získá informace o světle z celé scény a nastaví průměrné hodnoty.</li><li>› Spot – Toto nastavení umožní změřit malou část scény, výchozí nastavení je střed. Uživatel pomocí dotykové obrazovky může zvolit jiný bod, ze kterého kamera určí expozici.</li></ul>
<b>Expozice</b>	Nastavení kompenzace expozice. Vyšší hodnota znamená světlejší fotografii, nižší hodnota tmavší fotografii.
<b>Závěrka</b>	Zvolení rychlosti závěrky.
<b>ISO</b>	Nastavení hodnoty ISO. Nastavená hodnota ISO určí citlivost na světlo. Čím vyšší hodnota, tím světlejší snímek.
<b>AWB</b>	Nastavení vyvážení bílé barvy pro různé způsoby osvětlení scény.
<b>Režim scény</b>	Předvolené režimy nastavení pro různé typy scén.
<b>Ostrost</b>	Nastavení ostrosti fotografie.
<b>Filtr</b>	Zvolení filtru fotografie.
<b>Mřížka</b>	Zobrazí na displeji mřížku pro lepší kompozici.

## 7. NASTAVENÍ KAMERY


<b>WiFi</b>	Zobrazí nabídku, kde lze zapnout / vypnout WiFi. Zobrazit informace o WiFi. Nebo změnit název sítě nebo heslo WiFi.
<b>Spořič</b>	Nastavuje čas, po kterém se automaticky vypne displej, aby šetřil baterii. Dotykem na displej nebo stisknutím tlačítek displej znovu aktivujete.
<b>Automatické vypnutí</b>	Nastavení automatického vypnutí kamery v době nečinnosti. Zapnutí funkce vypne kameru v případě, že nenahrává video.
<b>Jazyk</b>	Výběr jazyka.
<b>Formát videa</b>	Výběr kódování barev.
<b>Frekvence</b>	Umožňuje vybrat frekvenci v souladu s frekvencí rozvodné sítě (na Evropském kontinentu je vedený v síti proud s frekvencí 50 Hz, v Americe a části Asie je to potom 60 Hz).
<b>WDR</b>	Zapnutí / vypnutí dynamického rozsahu.
<b>Hlasitost</b>	Nastavení hlasitosti mikrofonu.
<b>Selfie displej</b>	Výběr mezi větším a menším zobrazením obsahu na předním displeji.

<b>Otočení obrazu</b>	Otočení obrazu o 180°.
<b>Razítko</b>	Vložení vodotisku do fotky či videa.
<b>Zvuk kláves</b>	Zapnutí / vypnutí zvuku kláves.
<b>Zvuk závěrky</b>	Zapnutí / vypnutí zvuku závěrky.
<b>Zvuk zapnutí</b>	Zapnutí / vypnutí uvítacího tónu.
<b>Datum Čas</b>	Nastavení systémového data a času.
<b>Formát SD</b>	Formátování karty.
<b>Továrního nastavení</b>	Možnost uvést kameru do továrního nastavení.
<b>Informace</b>	Umožňuje přístup k informacím o firmwaru kamery.

## 8. WIFI – MOBILNÍ APLIKACE



Díky mobilní aplikaci budete moci měnit režimy a nastavení kamery nebo prohlížet a stahovat natočená videa a fotografie přímo do vašeho mobilního zařízení.

- Načtete QR kód pro stažení aplikace nebo klikněte na následující odkaz:  
<https://www.lamax-electronics.com/w102/app/>
- Nainstalujete aplikaci do vašeho mobilního zařízení.
- Zapnete WiFi v kameře potažením palce směrem dolů a následným stlačením ikony WiFi .
- Na vašem mobilním zařízení se připojíte na WiFi síť s názvem kamery. Heslo na WiFi je zobrazené na displeji kamery (z výroby 1234567890).

## 9. VODOTĚSNOST

**Odolnost proti ponoření do vody je splněna za těchto podmínek:**

### AKČNÍ KAMERA:

Kamera bez pouzdra odolá ponoření do hloubky 12 metrů. Před ponořením se ujistěte, že máte správně zavřené kryty na boční a spodní straně kamery. Kryty a těsnění musí být zbaveny veškerých nečistot, jako je prach, písek a podobně. Kryty kamery neotvírejte před vyschnutím těla kamery. V případě použití ve slané vodě opláchněte kameru pitnou vodou. K osušení nepoužívejte žádné textilní látky či externí zdroje tepla (fén, mikrovlnná trouba apod.), kameru vždy nechte pozvolna vyschnout.

### VODOTĚSNÉ POUZDRO:

Pouzdro odolá ponoření do hloubky 40 metrů. Před použitím kamery v pouzdru se ujistěte o správném uzavření zadních dvířek pouzdra pomocí mechanismu na horní straně pouzdra. Dvířka a těsnění pouzdra musí být zbaveno veškerých nečistot, jako je prach, písek a podobně. Při použití ve slané vodě opláchněte pouzdro pitnou vodou. K osušení nepoužívejte žádné textilní látky či externí zdroje tepla (fén, mikrovlnná trouba apod.), pouzdro

vždy nechejte pozvolna vyschnout. V případě použití vodotěsného pouzdra nelze využít dotykovou plochu displeje kamery a kameru je nutné ovládat pomocí tlačítek.

## **DÁLKOVÉ OVLÁDÁNÍ:**

Dálkové ovládání odolá ponoření do hloubky 2 metrů. Před ponořením se ujistěte, že je správně uzavřený kryt USB na spodní straně ovládání. Kryt neotvírejte před vyschnutím těla dálkového ovládání. K osušení nepoužívejte externí zdroje tepla (fén, mikrovlnná trouba apod.), dálkové ovládání nechejte pozvolna vyschnout nebo pro usušení použijte jemnou textilní látku.

## **10. BEZPEČNOSTNÍ OPATŘENÍ**

**Před prvním použitím je spotřebitel povinen se seznámit se zásadami bezpečného používání výrobku.**

### **ZÁSADY A UPOZORNĚNÍ**

- Pro zajištění vlastní bezpečnosti nepoužívejte ovládací prvky tohoto přístroje při řízení.
- Při používání rekordéru v autě je nezbytný okenní držák. Rekordér umístěte na vhodné místo tak, aby nebránil ve výhledu řidiče ani v aktivaci bezpečnostních prvků (např. airbagů).
- Objektiv kamery nesmí být ničím blokován a v blízkosti objektivu se nesmí nacházet žádný reflexní materiál. Uchovávejte objektiv čistý.
- Pokud je čelní sklo automobilu zabarveno reflexní vrstvou, může to omezovat kvalitu záznamu.

### **BEZPEČNOSTNÍ ZÁSADY**

- Nepoužívejte nabíječku ve vysoce vlhkém prostředí. Nikdy se nabíječky nedotýkejte mokřýma rukama nebo stojíte-li ve vodě.
- Při napájení přístroje nebo nabíjení baterie ponechte kolem nabíječky dostatečný prostor pro cirkulaci vzduchu. Nepřikrývejte nabíječku papíry ani jinými předměty, které by mohly zhoršit její chlazení. Nepoužívejte nabíječku uloženou v transportním obalu.
- Nabíječku připojujte ke správnému zdroji napětí. Údaje o napětí jsou uvedeny na plášti výrobku nebo na jeho obalu.
- Nepoužívejte nabíječku, je-li zjevně poškozena. V případě poškození zařízení sami neopravujte!
- V případě nadměrného zahřívání přístroj okamžitě odpojte od přívodu energie.
- Nabíjejte zařízení pod dohledem.
- Balení obsahuje malé dílky, které mohou být nebezpečné pro děti. Produkt vždy ukládejte mimo dosah dětí. Sáčky nebo mnoho dílků, které obsahují, mohou po spolknutí nebo po nasazení na hlavu způsobit udušení.

### **BEZPEČNOSTNÍ UPOZORNĚNÍ PRO LI-ION BATERIE**


- Před prvním použitím baterii plně nabijte.
- Pro nabíjení používejte jen nabíječku, která je pro tento typ baterie určena.
- Používejte standardní kabely pro nabíjení, jinak by mohlo dojít k poškození zařízení.
- V žádném případě nepřipojujte k nabíječce mechanicky poškozené nebo nafouklé baterie. Baterie v takovém stavu již vůbec nepoužívejte, hrozí nebezpečí výbuchu.
- Nepoužívejte jakkoliv poškozený síťový adaptér nebo nabíječku.
- Nabíjení provádějte za pokojové teploty, nikdy nenabíjejte při teplotě nižší než 0 °C nebo při teplotě vyšší než 40 °C.
- Dejte pozor na pády, baterii neprorážejte ani jinak nepoškozujte. Poškozenou baterii rozhodně neopravujte.
- Nevystavujte nabíječku ani baterii působení vlhkosti, vody, dešti, sněhu nebo různým nástřikům.
- Baterii nenechávejte ve vozidle, nevystavujte slunečnímu záření a nedávejte poblíž zdrojů tepla. Silné světlo či vysoké teploty mohou baterii poškodit.
- Během nabíjení neponechávejte akumulátory nikdy bez dohledu, zkrat nebo náhodné přebití (akumulátoru nevhodného pro rychlonabíjení nebo nabíjeného nadměrným proudem či při poruše nabíječky) může způsobit únik agresivních chemikálií, explozi nebo následný požár! V případě, že při nabíjení baterie dochází k jejímu nadměrnému ohřívání, tak baterii okamžitě odpojte.

- Nabíječku a nabíjený akumulátor neumísťujte pri nabíjení na nebo do blízkosti horľavých predmetů. Pozor na záclony, koberce, ubrusy atd.
- Jakmile je dobíjené zařízení plně dobito, odpojte jej z důvodu bezpečnosti.
- Udržujte baterii mimo dosah dětí i zvířat.
- Nabíječku ani baterii nikdy nerozebírejte.
- Pokud je baterie integrovaná, nikdy nerozebírejte zařízení, pokud není stanoveno jinak. Jakýkoliv takový pokus je riskantní a může mít za následek poškození produktu a následnou ztrátu záruky.
- Nevyhazujte opotřebované nebo poškozené baterie do odpadkového koše, ohně či do topných zařízení, ale odevzdejte je ve sběrnách nebezpečného odpadu.

## ÚDRŽBA PŘÍSTROJE

- Dobrá údržba tohoto přístroje zajistí bezproblémový provoz a omezí nebezpečí poškození.
- Uchovávejte přístroj mimo extrémní vlhkost a teploty a nevystavujte přístroj dlouhodobě přímému slunečnímu nebo ultrafialovému záření.
- Zabraňte pádu přístroje ani jej nevystavujte silným nárazům.
- Nevystavujte přístroj náhlým a prudkým změnám teplot. Mohlo by to způsobit kondenzování vlhkosti uvnitř zařízení, což by mohlo přístroj poškodit. V případě, kdy dojde ke kondenzaci vlhkosti, před dalším používáním nechte přístroj dokonale vyschnout.
- Povrch displeje se může snadno poškrábat. Nedotýkejte se jej ostrými předměty.
- Zásadně nečistěte přístroj, když je zapnutý. K čištění displeje a vnějšího povrchu přístroje použijte měkký netřepivý hadřík. Nečistěte displej papírovými utěrkami.
- Zásadně se nepokoušejte přístroj rozebírat, opravovat nebo jakkoli upravovat. V případě demontáže, úprav nebo jakéhokoli pokusu o opravu dochází k propadnutí záruky a může dojít k poškození přístroje či dokonce ke zranění nebo škodám na majetku.
- Neskladujte ani nepřevázejte hořlavé kapaliny, plyny nebo výbušné materiály pohromadě s přístrojem, jeho částmi nebo doplňky.
- Aby se zabránilo krádeži, nenechávejte přístroj a příslušenství na viditelném místě ve vozidle bez dozoru.
- Přehřátí může přístroj poškodit.
- Při styku se silně chlorovanou nebo mořskou vodou kameru opláchněte v pitné vodě a osušte jí.
- Na vysušení kamery nepoužívejte externí zdroj tepla jako například mikrovlnou troubu nebo sušák na vlasy.
- Před plaváním nebo potápěním vždy zkontrolujte, jestli nejsou pootevřená dvířka baterie nebo dvířka k napájecím portům. Pokud ano, zavřete je. Jinak kamera nebude vykazovat vodotěsnost.
- Dotykový displej utírejte jen utěrkou, která je k tomu určená a vyhněte se tak jeho poškrábání.

## DALŠÍ INFORMACE

1) Pro domácnosti: Uvedený symbol () na výrobku nebo v průvodní dokumentaci znamená, že použité elektrické nebo elektronické výrobky nesmí být likvidovány společně s komunálním odpadem. Za účelem správné likvidace výrobku jej odevzdejte na určených sběrných místech, kde budou přijata zdarma. Správnou likvidaci tohoto produktu pomůžete zachovat cenné přírodní zdroje a napomáháte prevenci potenciálních negativních dopadů na životní prostředí a lidské zdraví, což by mohly být důsledky nesprávné likvidace odpadů. Další podrobnosti si vyžádejte od místního úřadu nebo nejbližšího sběrného místa. Při nesprávné likvidaci tohoto druhu odpadu mohou být v souladu s národními předpisy uděleny pokuty. Informace pro uživatele k likvidaci elektrických a elektronických zařízení (firemní a podnikové použití): Pro správnou likvidaci elektrických a elektronických zařízení si vyžádejte podrobné informace u Vašeho prodejce nebo dodavatele. Informace pro uživatele k likvidaci elektrických a elektronických zařízení v ostatních zemích mimo Evropskou unii: Výše uvedený symbol (přeškrtnutý koš) je platný pouze v zemích Evropské unie. Pro správnou likvidaci elektrických a elektronických zařízení si vyžádejte podrobné informace u Vašich úřadů nebo prodejce zařízení. Vše vyjadřuje symbol přeškrtnutého kontejneru na výrobku, obalu nebo tištěných materiálech.

2) Záruční opravy zařízení uplatňujte u svého prodejce. V případě technických problémů a dotazů kontaktujte svého prodejce, který Vás bude informovat o dalším postupu. Dodržujte pravidla pro práci s elektrickými zařízeními. Uživatel není oprávněn rozebírat zařízení ani vyměňovat žádnou jeho součást. Při otevření nebo

odstranění krytů hrozí riziko úrazu elektrickým proudem. Při nesprávném sestavení zařízení a jeho opětovném zapojení se rovněž vystavujete riziku úrazu elektrickým proudem.

Záruční lhůta je na produkty 24 měsíců, pokud není stanovena jinak. Záruka se nevztahuje na poškození způsobené nestandardním používáním, mechanickým poškozením, vystavením agresivním podmínkám, zacházením v rozporu s manuálem a běžným opotřebením. Záruční doba na baterii je 24 měsíců, na její kapacitu 6 měsíců. Více informací ohledně záruky naleznete na [www.elem6.com/warranty](http://www.elem6.com/warranty)

Výrobce, dovozce ani distributor nenesou žádnou odpovědnost za jakékoli škody způsobené montáží nebo nesprávným užíváním produktu.

### EU PROHLÁŠENÍ O SHODĚ:

Společnost elem6 s.r.o. tímto prohlašuje, že zařízení LAMAX W10.2 je ve shodě se základními požadavky a dalšími příslušnými ustanoveními směrnice 2014/30/EU a 2014/53/EU. Všechny produkty značky LAMAX jsou určeny pro prodej bez omezení v Německu, České republice, Slovensku, Polsku, Maďarsku a v dalších členských zemích EU. Úplné prohlášení o shodě lze stáhnout z webu <https://www.lamax-electronics.com/support/doc/>

- Kmitočtové pásmo, v němž rádiové zařízení pracuje: 2.4–2.48 GHz
- Maximální radiofrekvenční výkon vysílaný v kmitočtovém pásmu, v němž je rádiové zařízení provozováno: 12.51 dBi

### VÝROBCE:

elem6 s.r.o., Braškovská 308/158, 161 00 Praha 6  
[www.lamax-electronics.com](http://www.lamax-electronics.com)



**Tiskové chyby a změny v manuálu jsou vyhrazeny.**

# LAMAX

ELECTRONICS

---

# LAMAX W10.2

ACTION CAMERA



---

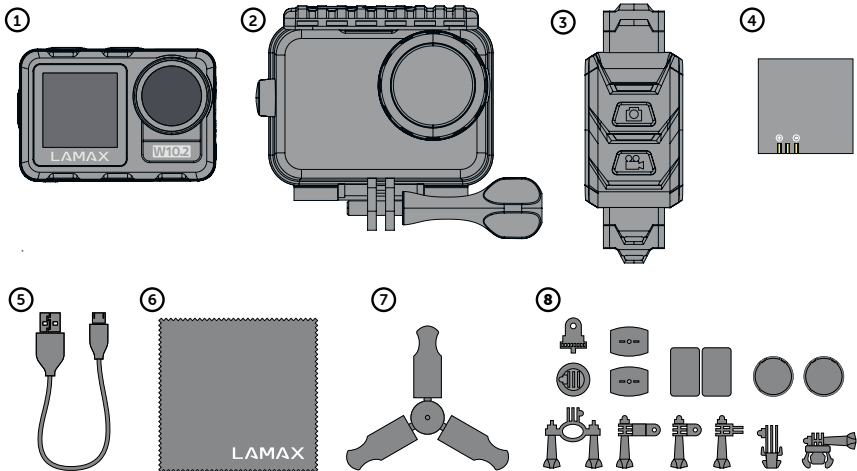
SK – Používateľská príručka



## OBSAH

1. OBSAH BALENIA.....	2
2. ZOZNÁMENIE SA S KAMEROU.....	3
3. OVLÁDANIE KAMERY.....	4
4. PRVÉ ZAPNUTIE.....	4
5. NASTAVENIE V REŽIME VIDEO.....	5
6. NASTAVENIE V REŽIMU FOTOGRAFIE.....	6
7. NASTAVENIA KAMERY.....	6
8. WIFI – MOBILNÁ APLIKÁCIA.....	7
9. VODOTESNOSŤ.....	7
10. BEZPEČNOSTNÉ OPATRENIA.....	8

## 1. OBSAH BALENIA



① Akčná kamera LAMAX W10.2

② Vodotesný obal do 40 m

③ Diaľkové ovládanie, vodotesné do 2 m

④ Li-ion batéria

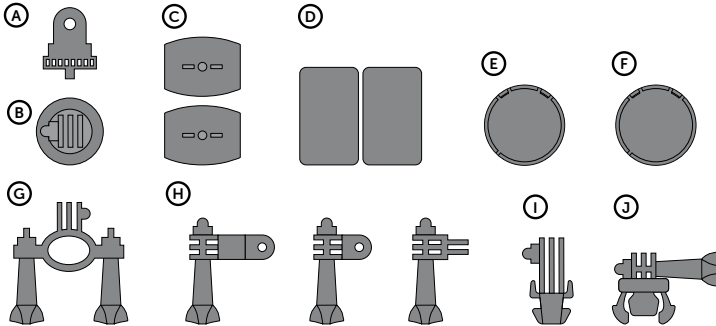
⑤ USB-C kábel pre nabíjanie/prenos súborov

⑥ Handrička z mikrovlnáka

⑦ Mini statív

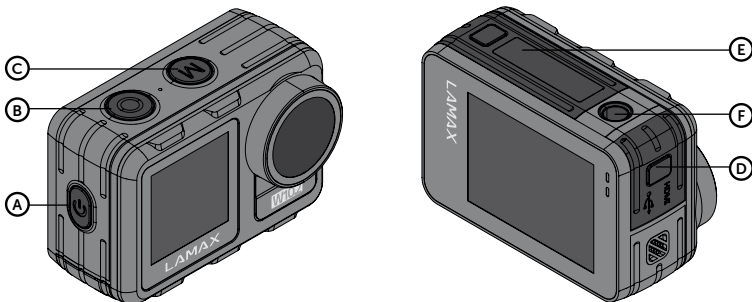
⑧ Úchyty

## ÚCHYTY



- (A) Redukcia na statív – pre pripojenie kamery bez puzdra na príslušenstvo
- (B) Adaptér na statív – pre pripojenie kamery v puzdre na statív
- (C) Samolepiaci držiak (2x) – pre uchytienie na hladký povrch (helma, kapota)
- (D) Náhradní 3M podložky (2x) – pre opätovné nalepenie samolepiaceho držiaku
- (E) Ružový filter na potápanie
- (F) Čirý filter na ochranu objektívu
- (G) Držiak na tyč – pre upevnenie napríklad na riadidlá
- (H) 3-axis connector (3 časti) – pre upevnenie ľubovoľným smerom
- (I) J mount – pre rýchle zacvaknutie s vyvýšením
- (J) Fast plug-in – pre rýchle zacvaknutie držiaku









## 2. ZOZNÁMENIE SA S KAMEROU



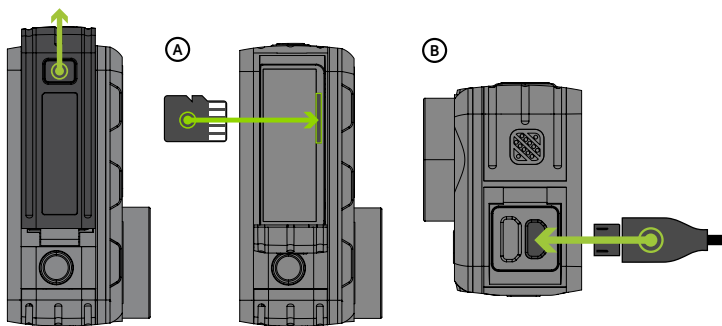
- (A) Tlačidlo POWER
- (B) Tlačidlo REC
- (C) Tlačidlo MODE
- (D) Dvierka ku konektorom USB-C a micro HDMI
- (E) Dvierka k batérii a slotu na micro SD kartu
- (F) Závit pre upevnenie kamery na statív alebo selfie tyč

**Poznámka:** Používajte len doporučené príslušenstvo, v opačnom prípade môže dôjsť k poškodeniu kamery.

### 3. OVLÁDANIE KAMERY

<b>Zapnutie a vypnutie</b>	Podržaním tlačidla POWER alebo potiahnutím palca smerom dole a následným stlačením ikony POWER
<b>Zvolenie režimu</b>	Dotykom na ikonu  , tlačidlom „MODE“ alebo potiahnutím palca nahor, kde následne zvolíte požadovaný režim
<b>Nastavenia režimu</b>	Dotykom na ikonu  alebo tlačidlom „POWER“
<b>Nastavenia</b>	Dotykom na ikonu 
<b>Prehliadanie súborov</b>	Dotykom na ikonu 
<b>Prepínanie medzi displejmi</b>	Podržanie tlačidla MODE
<b>Návrat späť</b>	Dotykom na ikonku 
<b>Zapnutie diaľkového ovládania</b>	Potiahnutím prstom smerom dole a následným kliknutím na ikonku Diaľkového ovládača 
<b>Uzamknutie ovládania</b>	Potiahnutím prstom smerom dole a následným dotykom na ikonku zámku 
<b>Vypnutie kamery</b>	Potiahnutím prstom smerom dole a následným dotykom na ikonku Vypnutie 

### 4. PRVÉ ZAPNUTIE



#### A VLOŽTE MICROSD KARTU DO KAMERY PODĽA OBRÁZKU (KONEKTORY SMEROM K OBJEKTÍVU)

- V spodnej časti kamery stlačte poistné tlačidlo. Posuňte dverka smerom von a otvorte.
- Kartu vkladajte len, keď je kamera vypnutá a nie je pripojená k počítaču.
- Kartu pri prvom použití sformátujte priamo v kamere.
- Odporúčame pamäťové karty s vyššou zapisovacou rýchlosťou (UHS Speed Class –U3 a vyššie) a maximálnou kapacitou 256 GB.

**Poznámka:** Používajte len Micro SDHC či SDXC karty od renomovaných výrobcov. Karty neznámych výrobcov nezaručujú správne fungovanie dátového úložiska.

## **B** PRIPOJTE KAMERU K NAPÁJANIU

- Kameru môžete nabíjať ako pripojením k počítaču, tak pomocou dokúpiteľného sieťového adaptéru.
- Pred prvým použitím batériu úplne nabite.
- Nabitie batérie z 0 na 100 % trvá približne 4,5 hod. Po nabití zhasne indikátor nabíjania.

**Poznámka:** Nabitie batérie z 0 na 80 % trvá 2,5 hod.

## 5. NASTAVENIE V REŽIME VIDEO

<b>Rozlíšenie</b>	Nastavenie rozlíšenia a FPS (snímok za sekundu) v ktorom kamera bude nahrávať.
<b>Cyklické nahrávanie (Slučka)</b>	Pokiaľ je zapnuté, video sa rozdelí do časových segmentov podľa výberu nastavení.
<b>Zvuk</b>	Nastavenie, či má kamera nahrávať zvuk.
<b>Kódovanie</b>	Zvolenie video kodeku.
<b>LDC</b>	Redukcia rybieho oka.
<b>Stabilizácia</b>	Zapnutie/vypnutie MaxSmooth stabilizácie, ktorá je dostupná vo všetkých rozlíšeniach pri maximálne 60 fps. Pri zapnutej stabilizácii je uhol záberu (FOV) menší a takisto môže pri horších svetelných podmienkach negatívne ovplyvniť kvalitu videa. Nemožno kombinovať s funkciou korekcie rybieho oka.
<b>Metering</b>	Nastavenie spôsobu merania expozície. Na výber je z troch režimov „Stred“, „Priemer“ a „Spot“. <ul style="list-style-type: none"><li>➤ Střed – Toto nastavenie je vhodné pro natáčení objektů, které se budou převážně nacházet uprostřed záběru.</li><li>➤ Průměr – V tomto nastavení kamera získá informace o světle z celé scény a nastaví průměrné hodnoty.</li><li>➤ Spot – Toto nastavenie umožní zmerať malú časť scény, predvolené nastavenie je stred. Užívateľ pomocou dotykovej obrazovky môže zvoliť iný bod, z ktorého kamera určí expozíciu.</li></ul>
<b>Expozícia</b>	Nastavenia kompenzácie expozície. Vyššia hodnota znamená svetlejšie video, nižšia hodnota tmavšie video.
<b>Uzávierka</b>	Zvolenie rýchlosti uzávierky.
<b>ISO</b>	Nastavenie hodnoty ISO. Nastavená hodnota ISO určí citlivosť na svetlo. Čím vyššia hodnota, tým svetlejšia snímka.
<b>AWB</b>	Nastavenie vyváženia bielej farby pre rôzne spôsoby osvetlenia scény.
<b>Režim scény</b>	Predvolené režimy nastavení pre rôzne typy scén.
<b>Ostrosť</b>	Nastavenie ostrosti videa.
<b>Mriežka</b>	Zobrazí na displeji mriežku pre lepšiu kompozíciu.
<b>Filter</b>	Zvolenie filtra videa.

## 6. NASTAVENIE V REŽIMU FOTOGRAFIE

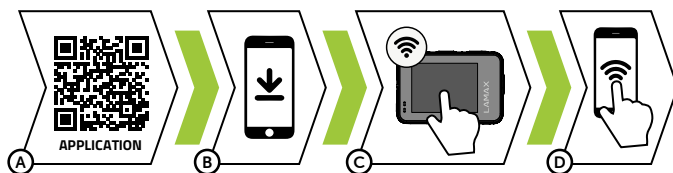
<b>Rozlíšenie</b>	Nastavenie rozlíšenia zhotovovaných fotografií.
<b>LDC</b>	Zapína/vypína redukciiu rybieho oka za pomoci zmenšenia uhlu záberu. Nie je možné kombinovať s funkciou so stabilizáciou obrazu.
<b>Metering</b>	Nastavenie spôsobu merania expozície. Na výber je z troch režimov „Stred“, „Priemer“ a „Spot“. <ul style="list-style-type: none"><li>› Střed – Toto nastavení je vhodné pro natáčení objektů, které se budou převážně nacházet uprostřed záběru.</li><li>› Průměr – V tomto nastavení kamera získá informace o světle z celé scény a nastaví průměrné hodnoty.</li><li>› Spot – Toto nastavenie umožní zmerať malú časť scény, predvolené nastavenie je stred. Užívateľ pomocou dotykovej obrazovky môže zvoliť iný bod, z ktorého kamera určí expozíciu.</li></ul>
<b>Expozícia</b>	Nastavenia kompenzácie expozície. Vyššia hodnota znamená svetlejšie video, nižšia hodnota tmavšie video.
<b>Uzávierka</b>	Zvolenie rýchlosti uzávierky.
<b>ISO</b>	Nastavenie hodnoty ISO. Nastavená hodnota ISO určí citlivosť na svetlo. Čím vyššia hodnota, tým svetlejšia snímka.
<b>AWB</b>	Nastavenie vyváženía bielej farby pre rôzne spôsoby osvetlenia scény.
<b>Režim scény</b>	Predvolené režimy nastavení pre rôzne typy scén.
<b>Ostrosť</b>	Nastavenie ostrosti videa.
<b>Filter</b>	Zvolenie filtra videa.
<b>Mriežka</b>	Zobrazí na displeji mriežku pre lepšiu kompozíciu.

## 7. NASTAVENIA KAMERY


<b>WiFi</b>	Zobrazí ponuku, kde je možné zapnúť / vypnúť WiFi. Zobrazíť informácie o WiFi, alebo zmeniť názov siete alebo heslo WiFi.
<b>Šetrič obrazovky</b>	Nastavuje čas, po ktorom sa automaticky vypne displej, aby šetрил batériu. Dotykom na displej alebo stlačením tlačidiel displej znovu aktivujete.
<b>Automatické vypnutie</b>	Nastavenie automatického vypnutia kamery v dobe nečinnosti. Zapnutá funkcia vypne kameru v prípade, že nenahráva video.
<b>Jazyk</b>	Výber jazyka.
<b>Formát videa</b>	Výber kódovania farieb.
<b>Frekvencia</b>	Umožňuje vybrať frekvenciu v súlade s frekvenciou rozvodnej siete (na Európskom kontinente je vedený v sieti prúd s frekvenciou 50 Hz, v Amerike a časti Ázie je to potom 60 Hz).
<b>WDR</b>	Zapnutie / vypnutie dynamického rozsahu.
<b>Hlasitosť</b>	Nastavenie hlasitosti mikrofónu.

<b>Selfie displej</b>	Výber medzi väčším a menším zobrazením obsahu na prednom displeji.
<b>Otočenie obrazu</b>	Otočenie obrazu o 180°.
<b>Pečiatka</b>	Vloženie vodoznaku do fotky a videa.
<b>Zvuk kláves</b>	Zapnutie / vypnutie zvuku kláves.
<b>Zvuk uzávierky</b>	Zapnutie / vypnutie zvuku uzávierky.
<b>Zvuk zapnutia</b>	Zapnutie / vypnutie uvítacieho tónu.
<b>Dátum Čas</b>	Nastavenie systémového dátumu a času.
<b>Formát SD</b>	Formátovanie karty.
<b>Továrenské nastavenie</b>	Možnosť uviesť kameru do továrenského nastavenia.
<b>Informácie</b>	Umožňuje prístup ku informáciám o firmware kamery.

## 8. WIFI – MOBILNÁ APLIKÁCIA



Vďaka mobilnej aplikácii budete môcť meniť režimy a nastavenia kamery alebo prehliadač a sťahovať natočené videá a fotografie priamo do vášho mobilného zariadenia.

- Načítajte QR kód pre stiahnutie aplikácie alebo kliknite na nasledujúci odkaz:  
<https://www.lamax-electronics.com/w102/app/>
- Nainštalujte aplikáciu do vášho mobilného zariadenia.
- Zapnite WiFi v kamere potiahnutím palca smerom nadol a následným stlačením ikony WiFi .
- Na vašom mobilnom zariadení sa pripojte na WiFi sieť s názvom kamery. Heslo na WiFi je zobrazené na displeji kamery (z výroby 1234567890).

## 9. VODOTESNOSŤ

**Odolnosť proti ponoreniu do vody je splnená za týchto podmienok:**

### AKČNÁ KAMERA:

Kamera bez puzdra odolá ponoreniu do hĺbky 12 metrov. Pred ponorením sa uistite, že máte správne zatvorené kryty na bočnej a spodnej strane kamery. Kryty a tesnenia musia byť zbavené všetkých nečistôt, ako je prach, piesok a podobne. Kryty kamery neotvárajte pred vyschnutím tela kamery. V prípade použitia v slanej vode opláchnite kameru pitnou vodou. Na osušenie nepoužívajte žiadne textilné látky či externé zdroje tepla (fén, mikrovlnná trúba a pod.), kameru vždy nechajte pozvoľna vyschnúť.

### VODOTESNÉ PUZDRO:

Puzdro odolá ponoreniu do hĺbky 40 metrov. Pred použitím kamery v puzdre sa ubezpečte, či sú správne zavreté zadné dvierka pomocou mechanizmu na hornej strane puzdra. Dvierka a tesnenie puzdra, musia byť zbavené všetkých nečistôt ako je prach, piesok a podobne. Pri použití v slanej vode opláchnite puzdro pitnou vodou. Na

osušenie nepoužívajte žiadne textilné látky, či externé zdroje tepla (fén, mikrovlnná trúba a podobne), puzdro nechajte vždy pozvoľna vyschnúť. V prípade použitia vodotesného puzdra, nie je možné využiť dotykovú plochu displeja kamery a je nutné ovládať kameru pomocou tlačidiel.

### **DIAĽKOVÉ OVLÁDANIE:**

Diaľkové ovládanie odolá ponoreniu do hĺbky 2 metrov. Pred ponorením sa uistite, že je správne uzatvorený kryt USB na spodnej strane ovládania. Kryt neatvárajte pred vyschnutím tela diaľkového ovládania. Na osušenie nepoužívajte externé zdroje tepla (fén, mikrovlnná rúra a pod.), diaľkové ovládanie nechajte pozvoľna vyschnúť alebo na usušenie použite jemnú textilnú látku.

## **10. BEZPEČNOSTNÉ OPATRENIA**

**Pred prvým použitím je spotrebiteľ povinný sa zoznámiť so zásadami bezpečného používania výrobku.**

### **ZÁSADY A UPOZORNENIA**

- Na zaistenie vlastnej bezpečnosti nepoužívajte ovládacie prvky tohto prístroja pri riadení.
- Pri používaní rekordéra v aute je potrebný okenný držiak. Rekordér umiestnite na vhodné miesto tak, aby nebránil vo výhľade vodiča ani v aktivácii bezpečnostných prvkov (napr. airbagov).
- Objektív kamery nesmie byť ničím blokováný av blízkosti objektívu sa nesmie nachádzať žiadny reflexný materiál. Uchovávajte objektív čistý.
- Pokiaľ je čelné sklo automobilu zafarbené reflexnou vrstvou, môže to obmedzovať kvalitu záznamu.

### **BEZPEČNOSTNÉ ZÁSADY**

- Nepoužívajte nabíjačku vo vysoko vlhkom prostredí. Nikdy sa nabíjačky nedotýkajte mokrymi rukami alebo ak stojíte vo vode.
- Pri napájaní prístroja alebo nabíjaní batérie ponechajte okolo nabíjačky dostatočný priestor na cirkuláciu vzduchu. Neprikrývajte nabíjačku papiermi ani inými predmetmi, ktoré by mohli zhoršiť jej chladenie. Nepoužívajte nabíjačku uloženú v transportnom obale.
- Nabíjačku pripájajte k správnejmu zdroju napätia. Údaje o napätí sú uvedené na plášti výrobku alebo na jeho obale.
- Nepoužívajte nabíjačku, ak je zjavne poškodená. V prípade poškodenia zariadenia sami neopravujte!
- V prípade nadmerného zahrievania prístroj okamžite odpojte od prívodu energie.
- Nabíjajte zariadenie pod dohľadom.
- Balenie obsahuje malé dieliky, ktoré môžu byť nebezpečné pre deti. Produkt vždy ukladajte mimo dosahu detí. Vrecká alebo mnoho dielikov, ktoré obsahujú, môžu po prehltnutí alebo po nasadení na hlavu spôsobiť udusenie.

### **BEZPEČNOSTNÉ UPOZORNENIA PRE LI-ION BATÉRIE**


- Pred prvým použitím batériu úplne nabite.
- Na nabíjanie používajte len nabíjačku, ktorá je pre tento typ batérie určená.
- Používajte štandardné káble na nabíjanie, inak by mohlo dôjsť k poškodeniu zariadenia.
- V žiadnom prípade nepripájajte k nabíjačke mechanicky poškodené alebo nafúknuté batérie. Batérie v takom stave už vôbec nepoužívajte, hrozí nebezpečenstvo výbuchu.
- Nepoužívajte akokoľvek poškodený sieťový adaptér alebo nabíjačku.
- Nabíjanie vykonávajte za izbovej teploty, nikdy nenabíjajte pri teplote nižšej ako 0°C alebo pri teplote vyššej ako 40°C.
- Dajte pozor na pády, batériu neprerážajte ani inak nepoškodujte. Poškodenú batériu rozhodne neopravujte.
- Nevystavujte nabíjačku ani batériu pôsobeniu vlhkosti, vody, dažďu, snehu alebo rôznym nástrekom.
- Batériu nenechávajte vo vozidle, nevystavujte slnečnému žiareniu a nedávajte blízko zdrojov tepla. Silné svetlo či vysoké teploty môžu batériu poškodiť.

- Počas nabíjania neponechávajte akumulátory nikdy bez dohľadu, skrat alebo náhodné prebitie (akumulátora nevhodného pre rýchlonabíjanie alebo nabíjaného nadmerným prúdom či pri poruche nabíjačky) môže spôsobiť únik agresívnych chemikálií, explóziu alebo následný požiar!
- V prípade, že pri nabíjaní batérie dochádza k jej nadmernému ohrievaniu, tak batériu okamžite odpojte.
- Nabíjačku a nabíjaný akumulátor neumiestňujte pri nabíjaní na alebo do blízkosti horľavých predmetov. Pozor na záclony, koberce, obrusy atď.
- Hneď ako je dobíjané zariadenie plne dobité, odpojte ho z dôvodu bezpečnosti.
- Udržujte batériu mimo dosahu detí i zvierat.
- Nabíjačku ani batériu nikdy nerozoberajte.
- Pokiaľ je batéria integrovaná, nikdy nerozoberajte zariadenie, pokiaľ nie je stanovené inak. Akýkoľvek takýto pokus je riskantný a môže mať za následok poškodenie produktu a následnú stratu záruky.
- Nevyhadzujte opotrebované alebo poškodené batérie do odpadkového koša, ohňa či do vykurovacích zariadení, ale odovzdajte ich v zberniciach nebezpečného odpadu.

## ÚDRŽBA PRÍSTROJA

- Dobrá údržba tohto prístroja zaistí bezproblémovú prevádzku a obmedzí nebezpečenstvo poškodenia.
- Uchovávajte prístroj mimo extrémnej vlhkosti a teploty a nevystavujte prístroj dlhodobu priamemu slnečnému alebo ultrafialovému žiareniu.
- Zabráňte pádu prístroja ani ho nevystavujte silným nárazom.
- Nevystavujte prístroj náhlym a prudkým zmenám teplôt. Mohlo by to spôsobiť kondenzovanie vlhkosti vo vnútri zariadenia, čo by mohlo prístroj poškodiť. V prípade, keď dôjde ku kondenzácii vlhkosti, pred ďalším používaním nechajte prístroj dokonale vyschnúť.
- Povrch displeja sa môže ľahko poškriabať. Nedotýkajte sa ho ostrými predmetmi.
- Zásadne nečistite prístroj, keď je zapnutý. Na čistenie displeja a vonkajšieho povrchu prístroja používajte mäkkú nestrupkavicu handričku. Nečistite displej papierovými utierkami.
- Zásadne sa nepokúšajte prístroj rozoberať, opravovať alebo akokoľvek upravovať. V prípade demontáže, úprav alebo akéhokoľvek pokusu o opravu dochádza k prepadnutiu záruky a môže dôjsť k poškodeniu prístroja či dokonca k zraneniu alebo škodám na majetku.
- Neskladujte ani neprevádzajte horľavé kvapaliny, plyny alebo výbušné materiály pohromade s prístrojom, jeho časťami alebo doplnkami.
- Aby sa zabránilo krádeži, nenechávajte prístroj a príslušenstvo na viditeľnom mieste vo vozidle bez dozoru.
- Prehriatie môže prístroj poškodiť.
- Pri styku so silne chlôvanou alebo morskou vodou kameru opláchnite v pitnej vode a osušte ju.
- Na vysušenie kamery nepoužívajte externý zdroj tepla ako napríklad mikrovlnú rúru alebo sušiaci na vlasy.
- Pred plávaním alebo potápaním vždy skontrolujte, či nie sú pootvorené dvierka batérie alebo dvierka k napájacím portom. Ak áno, zatvorte ich. Inak kamera nebude vykazovať vodotesnosť.
- Dotykový displej utierajte len utierkou, ktorá je na to určená a vyhnite sa tak jeho poškriabaniu.

## ĎALŠIE INFORMÁCIE

1) Pre domácnosti: Uvedený symbol  na výrobku alebo v sprievodnej dokumentácii znamená, že použité elektrické alebo elektronické výrobky nesmú byť likvidované spoločne s komunálnym odpadom. Za účelom správnej likvidácie výrobku ho odovzdajte na určených zberných miestach, kde budú prijaté zadarmo. Správnu likvidáciu tohto produktu pomôžete zachovať cenné prírodné zdroje a napomáhate prevencii potenciálnych negatívnych dopadov na životné prostredie a ľudské zdravie, čo by mohli byť dôsledky nesprávnej likvidácie odpadov. Ďalšie podrobnosti si vyžadajte od miestneho úradu alebo najbližšieho zberného miesta. Pri nesprávnej likvidácii tohto druhu odpadu môžu byť v súlade s národnými predpismi udelené pokuty. Informácie pre užívateľov na likvidáciu elektrických a elektronických zariadení (firemné a podnikové použitie): Pre správnu likvidáciu elektrických a elektronických zariadení si vyžadajte podrobné informácie u Vášho predajcu alebo dodávateľa. Informácie pre užívateľov k likvidácii elektrických a elektronických zariadení v ostatných krajinách mimo Európskej únie: Vyššie uvedený symbol (preškrtnutý kôš) je platný iba v krajinách Európskej únie. Pre správnu likvidáciu elektrických a elektronických zariadení si vyžadajte podrobné informácie u Vašich úradov alebo predajcov zariadení. Všetko vyjadruje symbol preškrtnutého kontajnera na výrobku, obale alebo tlačenej materiáloch.



2) Záručné opravy zariadenia uplatňujte u svojho predajcu. V prípade technických problémov a otázok kontaktujte svojho predajcu, ktorý Vás bude informovať o ďalšom postupe. Dodržujte pravidlá pre prácu s elektrickými zariadeniami. Užívateľ nie je oprávnený rozoberať zariadenie ani vymieňať žiadnu jeho súčasť. Pri otvorení alebo odstránení krytov hrozí riziko úrazu elektrickým prúdom. Pri nesprávnom zostavení zariadenia a jeho opätovnom zapojení sa tiež vystavujete riziku úrazu elektrickým prúdom.

Záručná lehota je na produkty 24 mesiacov, pokiaľ nie je stanovená inak. Záruka sa nevzťahuje na poškodenie spôsobené neštandardným používaním, mechanickým poškodením, vystavením agresívnym podmienkam, zaobchádzaním v rozpore s manuálom a bežným opotrebovaním. Záručná doba na batériu je 24 mesiacov, na jej kapacitu 6 mesiacov. Viac informácií ohľadom záruky nájdete na [www.elem6.com/warranty](http://www.elem6.com/warranty)

Výrobca, dovozca ani distribútor nenesú žiadnu zodpovednosť za akékoľvek škody spôsobené montážou alebo nesprávnym používaním produktu.

## EÚ VYHLÁSENIE O ZHODE

Spoločnosť elem6 s.r.o. týmto vyhlasuje, že zariadenie LAMAX W10.2 je v zhode so základnými požiadavkami a ďalšími príslušnými ustanoveniami smernice 2014/30/EÚ a 2014/53/EÚ. Všetky produkty značky LAMAX sú určené na predaj bez obmedzení v Nemecku, Českej republike, Slovensku, Poľsku, Maďarsku av ďalších členských krajinách EÚ. Úplné vyhlásenie o zhode je možné stiahnuť z webu <https://www.lamax-electronics.com/support/doc/>

- Frekvenčné pásmo, v ktorom rádiové zariadenie pracuje: 2.4 – 2.48 GHz
- Maximálny rádiový výkon vysielať v frekvenčnom pásme, v ktorom je rádiové zariadenie prevádzkované: 12,51 dBm

## VÝROBCA:

elem6 s.r.o., Braškovská 308/158, 161 00 Praha 6  
[www.lamax-electronics.com](http://www.lamax-electronics.com)



**Tlačové chyby a zmeny v manuáli sú vyhradené.**

# LAMAX

ELECTRONICS

---

# LAMAX W10.2

ACTION CAMERA



---

PL – Instrukcja obsługi

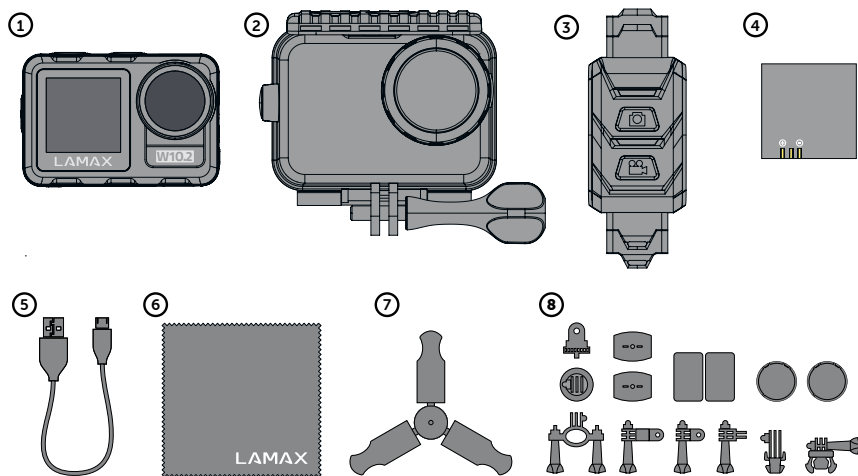
---

## SPIS TREŚCI

1. ZAWARTOŚĆ ZESTAWU.....	2
2. ZAPOZNANIE Z KAMERĄ.....	3
3. OBSŁUGA KAMERY.....	4
4. PIERWSZE WŁĄCZENIE.....	4
5. USTAWIENIE W TRYBIE VIDEO.....	5
6. USTAWIENIE W TRYBIE ZDJĘCIA.....	6
7. USTAWIENIE KAMERY.....	6
8. WIFI – APLIKACJA MOBILNA.....	7
9. WODOSZCZELNOŚĆ.....	7
10. ŚRODKI BEZPIECZEŃSTWA.....	8

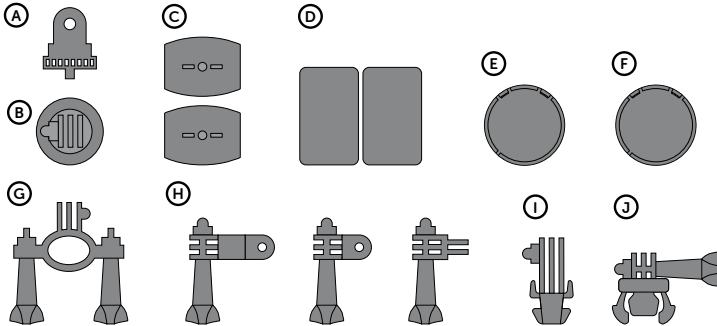
---

## 1. ZAWARTOŚĆ ZESTAWU



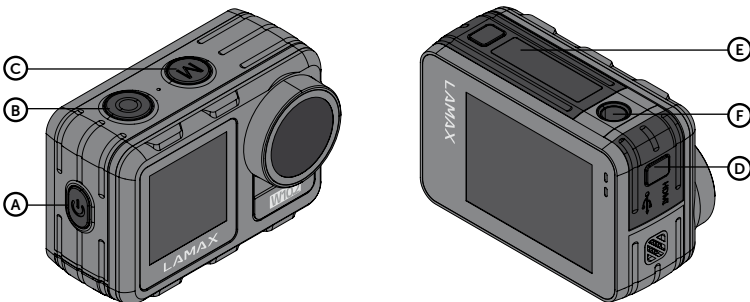
- ① Kamera sportowa LAMAX W10.2
- ② Wodoodporne etui do 40 m
- ③ Pilot zdalnego sterowania wodoodporny do 2 m
- ④ Baterie Li-ion
- ⑤ Kabel USB-C do ładowania / przesyłu plików
- ⑥ Ściereczka z mikrofibry
- ⑦ Mini statyw
- ⑧ Uchwyty

## UCHWYTY



- (A) Redukcja do statywu – do podłączenia kamery bez etui na akcesoria
- (B) Adapter na statyw – do podłączenia kamery w etui do statywu
- (C) Uchwyt samoprzylepny (2x) – do mocowania do gładkiej powierzchni (kask, maska)
- (D) Dodatkowe podkładki 3M (2x) – do ponownego przyklejenia uchwytu samoprzylepnego
- (E) Różowy filtr do nurkowania
- (F) Wyczyść filtr, aby chronić obiektyw
- (G) Uchwyt na kijek – do mocowania np. do kierownicy
- (H) 3-axis connector (3 części) – do zamocowania w dowolnym kierunku
- (I) J mount – do szybkiego wpięcia z podwyższeniem
- (J) Fast plug-in – szybkie wpinanie uchwytu






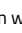
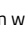
## 2. ZAPOZNANIE Z KAMERĄ



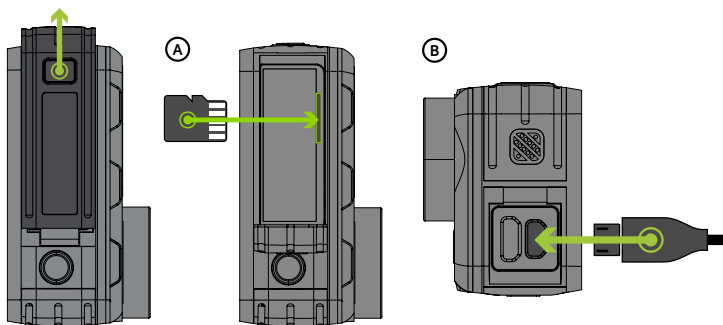
- (A) Przycisk POWER
- (B) Przycisk REC
- (C) Przycisk MODE
- (D) Drzwiczki do złącz USB-C i micro HDMI
- (E) Drzwiczki do baterii i gniazda na kartę micro SD
- (F) Gwint do zamocowania kamery na statywie lub kijku do selfie

**Uwaga:** Używaj tylko zalecanych akcesoriów, w przeciwnym razie kamera może ulec uszkodzeniu.

### 3. OBSŁUGA KAMERY

<b>Włączenie i wyłączenie</b>	Przytrzymując przycisk POWER lub przesuwając palcem w dół, a następnie naciśnięcie ikony POWER
<b>Wybór trybu</b>	Dotykając ikony  , przyciskiem „MODE” lub przesuwając palec w górę, wybierzesz żądany tryb
<b>Ustawienie trybu</b>	Dotykając ikony  lub przyciskiem „POWER”
<b>Ustawienia</b>	Dotykając ikony 
<b>Przeglądanie plików</b>	Dotykając ikony 
<b>Przełączanie między wyświetlaczami</b>	Przytrzymując przycisk „MODE”
<b>Powrót</b>	Dotykając ikony <
<b>Włączanie pilota</b>	Przesuwając palcem w dół, a następnie klikając ikonę pilota zdalnego sterowania 
<b>Blokada sterowania</b>	Przesuwając palcem w dół, a następnie dotykając ikony kłódki 
<b>Wyłącz aparat</b>	Przesuwając palcem w dół, a następnie dotykając ikony Wyłącz 

### 4. PIERWSZE WŁĄCZENIE



#### **A WŁÓŻ KARTĘ MICROSD DO KAMERY ZGODNIE Z RYSUNKIEM (ZŁĄCZA W KIERUNKU OBIEKTYWU)**

- Naciśnij przycisk bezpieczeństwa na spodzie aparatu. Przesuń drzwi na zewnątrz i otwórz.
- Kartę należy wkładać tylko wtedy, gdy kamera jest wyłączona i nie jest podłączona do komputera.
- Używając karty po raz pierwszy, sformatuj ją bezpośrednio w kamerze.
- Polecamy karty pamięci o wyższej szybkości zapisu (UHS Speed Class – U3 i wyższa) i maksymalnej pojemności 256 GB.

**Uwaga:** Używaj wyłącznie kart Micro SDHC lub SDXC renomowanych producentów. Karty producentów nieznanego pochodzenia nie gwarantują właściwego działania miejsca zapisu danych.

## ⓑ PODŁĄCZ KAMERĘ DO ZASILANIA

- Kamerę można ładować przez podłączenie do komputera lub za pomocą dodatkowo zakupionej ładowarki sieciowej.
- Przed pierwszym użyciem całkowicie naładuj baterie.
- Ładowanie baterii od 0 do 100% trwa około 4,5 godzin. Po naładowaniu wskaźnik ładowania zgaśnie.

**Uwaga:** Ładowanie baterii od 0 do 80% trwa około 2,5 godzin.

## 5. USTAWIENIE W TRYBIE VIDEO

<b>Rozdzielczość</b>	Ustawienie rozdzielczości i FPS (liczba klatek na sekundę), w których kamera będzie nagrywać.
<b>Nagrywanie cykliczne (Pętla)</b>	Jeśli opcja jest włączona, wideo zostanie podzielone na segmenty czasowe zgodnie z wybranym ustawieniem.
<b>Dźwięk</b>	Ustawienie, czy kamera ma nagrywać dźwięk.
<b>Kodowanie</b>	Wybór kodeka wideo.
<b>LDC</b>	Usuwanie efektu rybiego oka.
<b>Stabilizacja</b>	Włącz/wyłącz stabilizację MAXsmooth, która jest dostępna we wszystkich rozdzielczościach przy maksymalnie 60 fps. Gdy stabilizacja jest włączona, kąt widzenia (FOV) jest mniejszy i może również negatywnie wpływać na jakość wideo w złych warunkach oświetleniowych. Nie można łączyć z funkcją korekcji rybiego oka.
<b>Pomiar</b>	Ustawianie metody pomiaru ekspozycji. Do wyboru są trzy tryby: „Środek”, „Średnia” i „Spot”. <ul style="list-style-type: none"><li>➤ Środek – To ustawienie jest odpowiednie do fotografowania obiektów, które będą znajdować się głównie na środku kadru.</li><li>➤ Średnia – W tym ustawieniu kamera pobiera informacje o świetle z całości sceny i ustaw wartości średnie.</li><li>➤ Spot – To ustawienie zmierzy niewielką część sceny, ustawieniem domyślnym jest środek. Użytkownik może wybierać za pomocą ekranu dotykowego inny punkt, z którego kamera określa ekspozycję.</li></ul>
<b>Narażenie</b>	Ustawienia kompensacji ekspozycji. Wyższa wartość oznacza jaśniejsze wideo, niższa wartość oznacza ciemniejsze wideo.
<b>Migawka</b>	Wybór szybkości migawki.
<b>ISO</b>	Ustawianie wartości ISO. Ustawiona wartość ISO określa czułość na światło. Im wyższa wartość, tym jaśniejszy obraz.
<b>AWB</b>	Ustawienie balansu bieli dla różnych sposobów oświetlenia sceny.
<b>Tryb sceny</b>	Domyślne tryby ustawień dla różnych typów scen.
<b>Ostrość</b>	Ustawienie ostrości wideo.
<b>Siatka</b>	Wyświetlił się siatka na wyświetlaczu, aby uzyskać lepszą kompozycję.
<b>Filtr</b>	Wybór filtra wideo.

## 6. USTAWIENIE W TRYBIE ZDJĘCIA

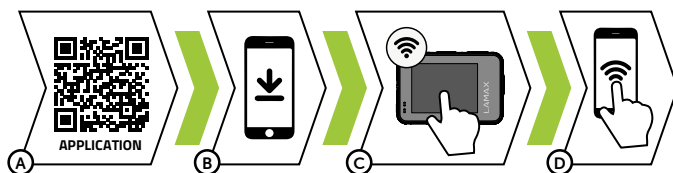
<b>Rozdzielczość</b>	Ustawianie rozdzielczości wykonywanych zdjęć.
<b>LDC</b>	Usuwanie efektu rybiego oka.
<b>Pomiar</b>	Ustawianie metody pomiaru ekspozycji. Do wyboru są trzy tryby: „Środek”, „Średnia” i „Spot”. <ul style="list-style-type: none"><li>➤ Środek – To ustawienie jest odpowiednie do fotografowania obiektów, które będą znajdować się głównie na środku kadru.</li><li>➤ Średnia – W tym ustawieniu kamera pobiera informacje o świetle z całości sceny i ustaw wartości średnie.</li><li>➤ Spot – To ustawienie zmierzy niewielką część sceny, ustawieniem domyślnym jest środek. Użytkownik może wybierać za pomocą ekranu dotykowego inny punkt, z którego kamera określa ekspozycję.</li></ul>
<b>Ekspozycja</b>	Ustawienia kompensacji ekspozycji. Wyższa wartość oznacza jaśniejsze wideo, niższa wartość oznacza ciemniejsze wideo.
<b>Migawka</b>	Wybór szybkości migawki.
<b>ISO</b>	Ustawianie wartości ISO. Ustawiona wartość ISO określa czułość na światło. Im wyższa wartość, tym jaśniejszy obraz.
<b>AWB</b>	Ustawienie balansu bieli dla różnych sposobów oświetlenia sceny.
<b>Tryb sceny</b>	Domyślne tryby ustawień dla różnych typów scen.
<b>Ostrość</b>	Ustawienie ostrości wideo.
<b>Filtr</b>	Wybór filtra wideo.
<b>Siatka</b>	Wyświetlił się siatka na wyświetlaczu, aby uzyskać lepszą kompozycję.

## 7. USTAWIENIE KAMERY


<b>Wi-Fi</b>	Wyświetlił się menu, w którym można włączyć/wyłączyć Wi-Fi. Wyświetlił informacje o sieci Wi-Fi. Zmień nazwę sieci lub hasło Wi-Fi.
<b>Wygaszacz ekranu</b>	Ustawia czas, po którym wyświetlacz wyłączy się automatycznie w celu oszczędzania baterii. Dotknij wyświetlacza lub naciśnij przyciski, aby ponownie włączyć wyświetlacz.
<b>Automatyczne wyłączenie</b>	Ustawianie automatycznego wyłączenia kamery podczas braku aktywności. Włączona funkcja wyłączy kamerę, jeśli nie jest nagrywane wideo.
<b>Język</b>	Wybór języka.
<b>Format wideo</b>	Wybór kodowania kolorów.
<b>Częstotliwość sieci</b>	Umożliwia wybór częstotliwości zgodnie z częstotliwością sieci (na kontynencie europejskim prąd sieciowy wynosi 50 Hz, w Ameryce i części Azji 60 Hz).
<b>WDR</b>	Włączanie/wyłączanie zakresu dynamicznego.

<b>Objętość</b>	Ustawienie głośności mikrofonu.
<b>Wyświetlacz selfie</b>	Wybór między większym i mniejszym wyświetlaniem treści na przednim wyświetlaczu.
<b>Obrót obrazu</b>	Obróć obraz o 180°.
<b>Pieczęć</b>	Dodawanie znaku wodnego do zdjęcia i wideo.
<b>Dźwięk klawiszy</b>	Włączanie/wyłączanie dźwięku klawiszy.
<b>Dźwięk migawki</b>	Włączanie/wyłączanie dźwięku migawki.
<b>Dźwięk włączenia</b>	Włączanie/wyłączanie sygnału powitalnego.
<b>Data Godzina</b>	Ustawienie systemowej daty i godziny.
<b>Format SD</b>	Formatowanie karty.
<b>Ustawienia fabryczne</b>	Możliwość przywrócenia kamery do ustawień fabrycznych.
<b>Informacje</b>	Umożliwia dostęp do informacji o oprogramowaniu sprzętowym kamery.

## 8. WIFI – APLIKACJA MOBILNA



Dzięki aplikacji mobilnej będziesz mógł zmieniać tryby i ustawienia kamery czy przeglądać i pobierać nagrane filmy i zdjęcia bezpośrednio na swoje urządzenie mobilne.

- A** Zeskanuj kod QR, aby pobrać aplikację lub kliknij poniższy link:  
<https://www.lamax-electronics.com/w102/app/>
- B** Zainstaluj aplikację na swoim urządzeniu mobilnym.
- C** Włącz Wi-Fi w kamerze, przesuwając palcem w dół, a następnie klikając ikonę Wi-Fi .
- D** Na swoim urządzeniu mobilnym połącz się z siecią Wi-Fi z nazwą kamery. Hasło WiFi jest wyświetlane na wyświetlaczu kamery (fabrycznie 12345678).

## 9. WODOSZCZELNOŚĆ

**Oporność na zanurzenie w wodzie jest spełniona w następujących warunkach:**

### KAMERA SPORTOWA:

Kamera bez etui wytrzymałe zanurzenie na głębokość 12 metrów. Przed zanurzeniem upewnij się, że pokrywy z boku i od spodu kamery są prawidłowo zamknięte. Pokrywy i uszczelki muszą być wolne od wszelkich zanieczyszczeń typu kurz, piasek itp. Nie otwieraj pokryw kamery, zanim korpus kamery nie wyschnie. W przypadku używania w stoney wodzie opłucz kamerę wodą pitną. Do wysuszenia nie używaj żadnych materiałów tekstylnych ani zewnętrznych źródeł ciepła (suszarki do włosów, kuchenki mikrofalowej itp.), zawsze pozwól kamerze wyschnąć naturalnie.



## **ETUI WODOODPORNE:**

Etui wytrzymuje zanurzenie na głębokość 40 metrów. Przed użyciem kamery w etui upewnij się, że tylne drzwiczki etui są prawidłowo zamknięte za pomocą mechanizmu na górze etui. Pokrywa etui i uszczelka muszka być wolne od wszelkich zabrudzeń, takich jak kurz, piasek itp. W przypadku używania w stoney wodzie przepłucz etui wodą pitną. Do wysuszenia nie używaj żadnych materiałów tekstylnych ani zewnętrznych źródeł ciepła (suszarki do włosów, kuchenki mikrofalowej itp.), zawsze pozwól etui wyschnąć powoli. Podczas korzystania z wodoodpornego etui nie można korzystać z ekranu dotykowego wyświetlacza kamery, a kamerę należy obsługiwać za pomocą przycisków.

## **PILOT ZDALNEGO STEROWANIA:**

Pilot zdalnego sterowania wytrzymuje zanurzenie na głębokość 2 metrów. Przed zanurzeniem upewnij się, że pokrywa USB od spodu obsługi jest prawidłowo zamknięta. Nie otwieraj pokrywy, zanim korpus pilota zdalnego sterowania nie wyschnie. Do wysuszenia nie używaj tych zewnętrznych źródeł ciepła (suszarka do włosów, kuchenka mikrofalowa itp.), pilot zdalnego sterowania pozostaw do powolnego wyschnięcia lub do wysuszenia użyj delikatnej szmatki tekstylnej.

## **10. ŚRODKI BEZPIECZEŃSTWA**

**Przed pierwszym użyciem Konsument zobowiązany jest zapoznać się z zasadami bezpiecznego użytkowania produktu.**

### **ZASADY I UWAGI**

- Aby zapewnić sobie bezpieczeństwo, nie używaj elementów sterujących tego urządzenia podczas prowadzenia pojazdu.
- W przypadku używania rejestratora w samochodzie niezbędny jest uchwyt na szybę. Umieść rejestrator w odpowiednim miejscu, tak aby nie zasłaniał widoczności kierowcy ani nie zasłaniał aktywacji funkcji bezpieczeństwa (np. poduszek powietrznych).
- Obiektyw kamery nie może być niczym zasłonięty, aw pobliżu obiektywu nie może znajdować się żaden materiał odblaskowy. Utrzymuj obiektyw w czystości.
- Jeśli przednia szyba samochodu jest przyciemniona warstwą odblaskową, może to obniżyć jakość nagrania.

### **ZASADY BEZPIECZEŃSTWA**

- Nie używaj ładowarki w bardzo wilgotnym środowisku. Nigdy nie dotykaj ładowarki mokrymi rękami ani stojąc w wodzie.
- Podczas zasilania urządzenia lub ładowania akumulatora należy pozostawić wokół ładowarki wystarczająco dużo miejsca, aby zapewnić cyrkulację powietrza. Nie przykrywaj ładowarki papierami ani innymi przedmiotami, które mogłyby zakłócić jej chłodzenie. Nie używaj ładowarki znajdującej się w opakowaniu transportowym.
- Podłącz ładowarkę do odpowiedniego źródła napięcia. Dane dotyczące napięcia podane są na obudowie produktu lub na jego opakowaniu.
- Nie używaj ładowarki, jeśli jest wyraźnie uszkodzona. Jeśli urządzenie jest uszkodzone, nie naprawiaj go samodzielnie!
- W przypadku nadmiernego nagrzania należy natychmiast odłączyć urządzenie od zasilania.
- Ładuj urządzenie pod nadzorem.
- Opakowanie zawiera małe części, które mogą być niebezpieczne dla dzieci. Zawsze przechowuj produkt poza zasięgiem dzieci. Worki lub wiele zawartych w nich części może spowodować uduszenie w przypadku połknięcia lub przyłożenia do głowy.

### **UWAGA DOTYCZĄCA BEZPIECZEŃSTWA AKUMULATORÓW LITOWO-JONOWYCH**


- Całkowicie naładuj akumulator przed pierwszym użyciem.
- Do ładowania należy używać wyłącznie ładowarki przeznaczonej do tego typu akumulatorów.
- Używaj standardowych kabli ładujących, w przeciwnym razie urządzenie może ulec uszkodzeniu.

- Nigdy nie podłączaj do ładowarki uszkodzonych mechanicznie lub spuchniętych akumulatorów. W ogóle nie używaj baterii w tym stanie, grozi to wybuchem.
- Nie używaj uszkodzonego zasilacza lub ładowarki.
- Ładuj w temperaturze pokojowej, nigdy poniżej 0°C lub powyżej 40°C.
- Uważaj na upadki, nie przebijaj ani nie uszkadzaj baterii w inny sposób. Nigdy nie naprawiaj uszkodzonej baterii.
- Nie wystawiaj ładowarki ani akumulatora na działanie wilgoci, wody, deszczu, śniegu ani różnych aerozoli.
- Nie pozostawiaj akumulatora w pojeździe, nie wystawiaj go na działanie promieni słonecznych i nie umieszczaj w pobliżu źródeł ciepła. Silne światło lub wysoka temperatura mogą uszkodzić akumulator.
- Nigdy nie pozostawiaj akumulatorów bez nadzoru podczas ładowania, zwarcie lub przypadkowe przeładowanie (akumulatora nieodpowiedniego do szybkiego ładowania lub naładowanego nadmiernym prądem lub w przypadku awarii ładowarki) może spowodować wyciek agresywnych chemikaliów, wybuch lub późniejszy pożar!
- Jeśli akumulator przegrzeje się podczas ładowania, należy go natychmiast odłączyć.
- Podczas ładowania nie umieszczaj ładowarki i naładowanego akumulatora na łatwopalnych przedmiotach lub w ich pobliżu. Zwróć uwagę na zastawy, dywany, obrusy itp.
- Gdy urządzenie ładujące jest w pełni naładowane, odłącz je dla bezpieczeństwa.
- Baterię należy przechowywać poza zasięgiem dzieci i zwierząt.
- Nigdy nie demontować ładowarki ani akumulatora.
- Jeśli bateria jest zintegrowana, nigdy nie należy demontować urządzenia, chyba że podano inaczej. Każda taka próba jest ryzykowna i może skutkować uszkodzeniem produktu i późniejszą utratą gwarancji.
- Nie wyrzucaj zużytych lub uszkodzonych baterii do śmietnika, ognia lub do urządzeń grzewczych, tylko oddaj je do punktów zbiórki odpadów niebezpiecznych.

## KONSERWACJA URZĄDZENIA

- Właściwa konserwacja tego urządzenia zapewni bezawaryjną pracę i zmniejszy ryzyko uszkodzeń.
- Trzymaj urządzenie z dala od ekstremalnej wilgotności i temperatury oraz nie wystawiaj go na bezpośrednie działanie promieni słonecznych lub promieniowania ultrafioletowego przez dłuższy czas.
- Nie upuszczaj urządzenia ani nie narażaj go na silne uderzenia.
- Nie narażaj urządzenia na nagłe i nagłe zmiany temperatury. Może to spowodować skraplanie się wilgoci wewnątrz urządzenia, co może spowodować uszkodzenie urządzenia. W przypadku wystąpienia kondensacji wilgoci, należy pozostawić urządzenie do całkowitego wyschnięcia przed dalszym użyciem.
- Powierzchnię wyświetlacza można łatwo zarysować. Nie dotykaj go ostrymi przedmiotami.
- Nie czyść urządzenia, gdy jest włączone. Do czyszczenia wyświetlacza i zewnętrznej powierzchni urządzenia używaj miękkiej, niestrzępiącej się szmatki. Nie czyść wyświetlacza ręcznikami papierowymi.
- Zasadniczo nie próbuj demontować, naprawiać ani modyfikować urządzenia w jakikolwiek sposób. Demontaż, modyfikacja lub jakakolwiek próba naprawy spowoduje unieważnienie gwarancji i może spowodować uszkodzenie urządzenia, a nawet obrażenia ciała lub uszkodzenie mienia.
- Nie przechowuj ani nie transportuj łatwopalnych cieczy, gazów lub materiałów wybuchowych razem z urządzeniem, jego częściami lub akcesoriami.
- Aby zapobiec kradzieży, nie pozostawiaj urządzenia i akcesoriów bez nadzoru w widocznym miejscu w pojeździe.
- Przegrzanie może uszkodzić urządzenie.
- W przypadku kontaktu z wodą silnie chlorowaną lub morską przepłucz aparat wodą pitną i wysusz.
- Do suszenia aparatu nie używaj zewnętrznego źródła ciepła, takiego jak kuchenka mikrofalowa lub suszarka do włosów.
- Przed pływaniem lub nurkowaniem zawsze sprawdzaj, czy drzwiczki baterii lub gniazda zasilania nie są uchylone. Jeśli tak, zamknij je. W przeciwnym razie aparat nie będzie wodoodporny.
- Ekran dotykowy należy wycierać wyłącznie szmatką przeznaczoną do tego celu i unikać zarysowań.

## WIĘCEJ INFORMACJI

1) Dla gospodarstw domowych: Wskazany symbol () na produkcie lub w dołączonej do niego dokumentacji oznacza, że zużytego sprzętu elektrycznego lub elektronicznego nie wolno wyrzucać razem z odpadami komunalnymi. W celu prawidłowej utylizacji produktu należy oddać go w wyznaczonych punktach zbiórki, gdzie zostaną one bezpłatnie przyjęte. Prawidłowo pozbywając się tego produktu, pomagasz chronić cenne zasoby naturalne i zapobiegać potencjalnemu negatywnemu wpływowi na środowisko i zdrowie ludzi, który może wynikać z niewłaściwej utylizacji odpadów. Więcej informacji można uzyskać u władz lokalnych lub w najbliższym punkcie zbiórki. Niewłaściwa utylizacja tego typu odpadów może skutkować karami zgodnie z przepisami krajowymi. Informacje dla użytkowników dotyczące utylizacji sprzętu elektrycznego i elektronicznego (do użytku firmowego i biznesowego): Aby uzyskać szczegółowe informacje na temat prawidłowej utylizacji sprzętu elektrycznego i elektronicznego, skontaktuj się ze sprzedawcą lub dostawcą. Informacje dla użytkowników dotyczące utylizacji sprzętu elektrycznego i elektronicznego w innych krajach poza Unią Europejską: Powyższy symbol (przekreślony kosz) obowiązuje tylko w krajach Unii Europejskiej. W celu prawidłowej utylizacji sprzętu elektrycznego i elektronicznego należy uzyskać szczegółowe informacje od władz lub sprzedawcy sprzętu. Wszystko wyraża symbol przekreślonego pojemnika na produkcie, opakowaniu czy materiałach drukowanych.

2) Złóż wniosek o naprawę gwarancyjną urządzenia u swojego sprzedawcy. W przypadku problemów i pytań technicznych skontaktuj się ze sprzedawcą, który poinformuje Cię o dalszym postępowaniu. Przestrzegaj zasad pracy z urządzeniami elektrycznymi. Użytkownik nie jest upoważniony do demontażu urządzenia ani wymiany jakichkolwiek jego części. Podczas otwierania lub zdejmowania pokryw istnieje ryzyko porażenia prądem. Istnieje również ryzyko porażenia prądem, jeśli urządzenie zostanie nieprawidłowo zmontowane i ponownie podłączone.

Okres gwarancji na produkty wynosi 24 miesiące, chyba że określono inaczej. Gwarancja nie obejmuje uszkodzeń spowodowanych niestandardowym użytkowaniem, uszkodzeniami mechanicznymi, narażeniem na działanie agresywnych warunków, postępowaniem niezgodnym z instrukcją oraz normalnym użytkowaniem. Okres gwarancji na akumulator wynosi 24 miesiące, na jego pojemność 6 miesięcy. Więcej informacji na temat gwarancji można znaleźć na stronie [www.elem6.com/warranty](http://www.elem6.com/warranty)

Producent, importer lub dystrybutor nie ponosi odpowiedzialności za jakiegokolwiek szkody spowodowane instalacją lub niewłaściwym użytkowaniem produktu.

## DEKLARACJA ZGODNOŚCI UE

Firma elem6 s.r.o. niniejszym oświadcza, że urządzenie LAMAX W10.2 jest zgodne z zasadniczymi wymaganiami i innymi odpowiednimi postanowieniami dyrektyw 2014/30/UE i 2014/53/UE. Wszystkie produkty marki LAMAX przeznaczone są do sprzedaży bez ograniczeń na terenie Niemiec, Czech, Słowacji, Polski, Węgier i innych krajów członkowskich UE. Pełną deklarację zgodności można pobrać ze strony <https://www.lamax-electronics.com/support/doc/>

- Pasma częstotliwości, w którym pracuje urządzenie radiowe: 2,4–2,48 GHz
- Maksymalna moc częstotliwości radiowej transmitowanej w paśmie częstotliwości, w którym pracuje sprzęt radiowy: 12,51 dBi

## PRODUCENT:

elem6 s.r.o., Braškovská 308/158, 161 00 Praga 6  
[www.lamax-electronics.com](http://www.lamax-electronics.com)



**Błędy typograficzne i zmiany w instrukcji są zastrzeżone.**

# LAMAX

ELECTRONICS

---

# LAMAX W10.2

ACTION CAMERA



---

HU – Felhasználói kézikönyv

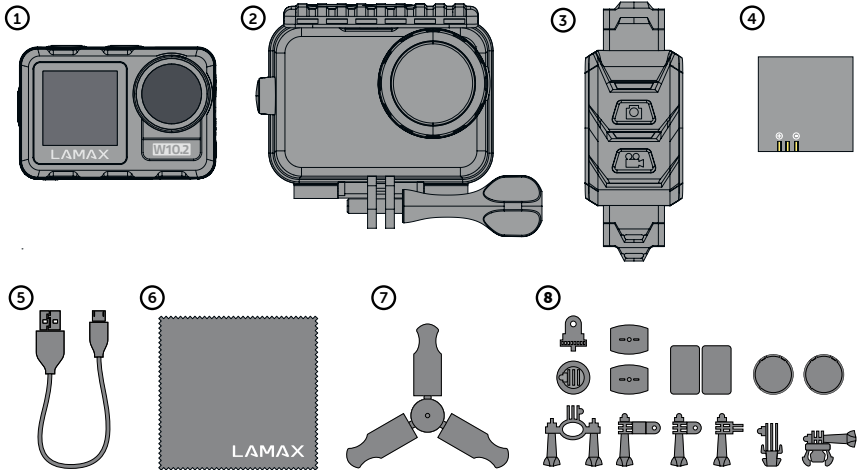
---

## TARTALOM

1. A CSOMAGOLÁS TARTALMA.....	2
2. MEGISMERKEDÉS A KAMERÁVAL.....	3
3. A KAMERA VEZÉRLÉSE.....	4
4. ELSŐ BEKAPCSOLÁS.....	4
5. BEÁLLÍTÁSOK VIDEO MÓDBAN.....	5
6. BEÁLLÍTÁSOK FÉNYKÉP ÜZEMMÓDBAN.....	6
7. KAMERA BEÁLLÍTÁSOK.....	6
8. WIFI – MOBIL ALKALMAZÁS.....	7
9. VÍZÁLLÓSÁG.....	7
10. BIZTONSÁGI INTÉZKEDÉSEK.....	8

---

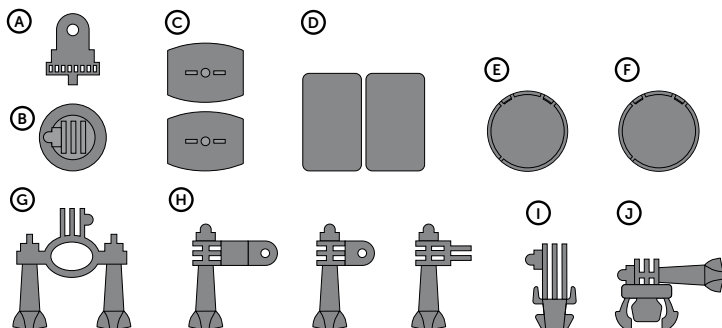
## 1. A CSOMAGOLÁS TARTALMA



- ① LAMAX W10.2 akciókamera
- ② 40 m-ig vízálló készülékház
- ③ 2 m-ig vízálló távirányító
- ④ Lítium-ion akkumulátor

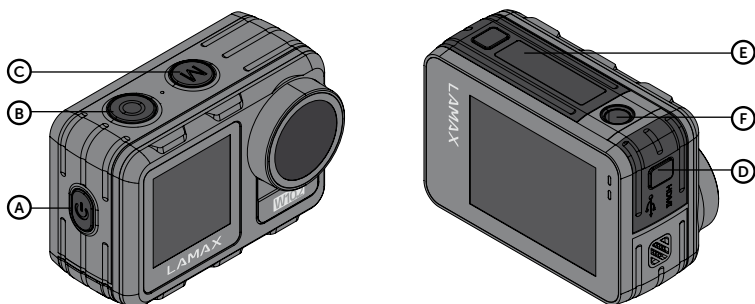
- ⑤ USB-C-kábel töltéshez / fájlok továbbításához
- ⑥ Mikroszálal törlerkendő
- ⑦ Mini állvány
- ⑧ Tartók

## TARTÓK



- A Állvány szűkítő – kamera tartozékok nélküli állványra rögzítéséhez
- B Állványadapter – tokba helyezett kamera állványra rögzítéséhez
- C Öntapadó tartó (2x) – sima felületre rögzítéshez (sisak, motorháztető)
- D Tartalék 3M matrica (2x) – az öntapadó tartó újbóli rögzítéséhez
- E Rózsaszín bűvárszűrő
- F Tiszta szűrő a lencse védelmére
- G Tartó botra – például kormányra szereléshez
- H 3-axis connector (3 rész) – tetszőleges irányú rögzítéshez
- I J-mount – a gyors bekattintáshoz kiálló részzel
- J Fast plug in – gyors tartóba pattintás








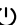
## 2. MEGISMERKEDÉS A KAMERÁVAL



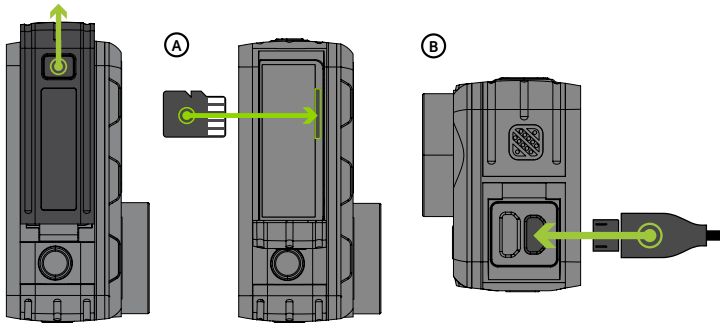
- A POWER gomb
- B REC gomb
- C MODE gomb
- D USB-C és mikro HDMI csatlakozóbemenet fedél
- E Elemház és micro SD kártya slot fedél
- F A kamerát állványra vagy szelfi botra rögzítő menet

**Megjegyzés:** Kizárólag ajánlott tartozékokat használjon, ellenkező esetben a kamera megsérülhet.

### 3. A KAMERA VEZÉRLÉSE

<b>Be- és kikapcsolás</b>	Tartsa lenyomva a POWER gombot, vagy húzza lefelé a hüvelykujját, majd nyomja meg a POWER ikont
<b>Üzem mód kiválasztása</b>	Érintse meg az ikont  , nyomja meg a MODE gombot vagy húzza felfelé a hüvelykujját a kívánt üzemmód kiválasztásához
<b>Üzem mód beállítások</b>	Érintse meg a  ikont vagy a POWER gombot
<b>Beállítások</b>	Koppintson az ikonra 
<b>Fájlok megtekintése</b>	Koppintson az ikonra 
<b>Kijelzők közötti váltás</b>	Tartsa lenyomva a MODE gombot
<b>Visszatérés</b>	Koppintson az ikonra 
<b>A távirányító bekapcsolása</b>	Húzza lefelé az ujját, majd kattintson a Távirányító ikonra 
<b>Vezérlőzár</b>	Lefelé bevonással, majd megérinti a zár ikont 
<b>A kamera kikapcsolása</b>	Lapozunk lefelé, majd koppintsunk a Leállítás ikonra 

### 4. ELSŐ BEKAPCSOLÁS



#### A HELYEZZE A MICROSD-KÁRTYÁT A KAMERÁBA AZ ÁBRÁN LÁTHATÓ MÓDON (CSATLAKOZÓKKAL AZ OBJEKTÍV FELÉ FORDÍTVA)

- Csak akkor helyezze be a kártyát, ha a kamera ki van kapcsolva, és nincs a számítógéphez csatlakoztatva.
- Az első használat alkalmával közvetlenül a kamerában formázza meg a kártyát.
- Ajánlott nagyobb írási sebességű és max. 256 GB kapacitású memóriakártyát használni (UHS Speed Class -U3 és nagyobb).

**Megjegyzés:** Kizárólag neves gyártók Micro SDHC vagy SDXC kártyáit használja. A nem neves gyártók kártyái nem garantálják az adattár helyes működését.

## ⓑ CSATLAKOZTASSA A KAMERÁT A TÁPHOZ

- A kamerát vagy a számítógéphez csatlakoztatva, vagy megvásárolható hálózati adapterrel töltheti.
- Az akkumulátor teljes feltöltése 0-ról 100%-ra megközelítőleg 4,5 órát vesz igénybe. A feltöltést követően a töltésjelző kialszik.

**Megjegyzés:** Az akkumulátor 0-ról 80%-ra töltése 2,5 órát vesz igénybe.

## 5. BEÁLLÍTÁSOK VIDEO MÓDBAN

<b>Videofelbontás</b>	A kamera által készített felvétel felbontásának és az FPS értékének (képkocka/másodperc) beállítása.
<b>Ciklikus felvételkészítés (Hurokfelvétel)</b>	Bekapcsolt állapotban a videó a kiválasztott beállítások szerinti időszakaszokra oszlik.
<b>Hangfelvétel</b>	Annak beállítása, hogy rögzítse-e a kamera a hangot.
<b>Kódolás</b>	Videókódek kiválasztása.
<b>LDC</b>	Halszem szűkítés
<b>Stabilizálás</b>	A legfeljebb 60 kép/mp fps mellett minden felbontásban rendelkezésre álló MAXsmooth stabilizálás be/kikapcsolása. Bekapcsolt stabilizálás esetén a látószög (FOV) kisebb, és rossz fényviszonyok esetén akár hátrányosan is befolyásolhatja a videofelvétel minőségét. Nem kombinálható a halszemjavító funkcióval.
<b>Metering</b>	Expozíció mérési mód beállítása. Három üzemmód közül választhat: „Közepes”, „Átlagos” és „Egy pont” <ul style="list-style-type: none"><li>➤ Közép – Ez a beállítás olyan tárgyak felvételére alkalmas, amelyek túlnyomó részt a felvétel közepén lesznek majd.</li><li>➤ Átlagos – Ez a beállítás esetén a kamera az egész jelenet kapcsán információkat szerez a fényviszonyokról, és beállítja az átlagos értékeket.</li><li>➤ Spot – Ez a beállítás lehetővé teszi a jelenet egy kis részének mérését, az alapértelmezett beállítás a középpont. A felhasználó az érintőkijelző segítségével kiválaszthat egy másik pontot is, amelyhez a kamera hozzáigazítja az expozíciót.</li></ul>
<b>Expozíció</b>	Expozíció kompenzáció beállítások. A magasabb érték világosabb, az alacsonyabb pedig sötétebb videofelvételt jelent.
<b>Rekesz</b>	Tesztelési sebesség beállítása
<b>ISO</b>	Az ISO érték beállítása. A beállított ISO érték határozza meg a fényérzékenységet. Minél magasabb az érték, annál világosabb a kép.
<b>AWB</b>	Fehéregyensúly beállítás különböző fényviszonyok melletti felvételkészítés esetén.
<b>Jelenet mód</b>	Előre beállított üzemmódok különböző típusú jelenetekhez.
<b>Élesség</b>	A felvétel élességének beállítása.
<b>Rács</b>	Rácsot megjelenítése a kijelzőn a jobb kompozíció érdekében.
<b>Szűrő</b>	Válasszon ki egy videószűrőt.



## 6. BEÁLLÍTÁSOK FÉNYKÉP ÜZEMMÓDBAN

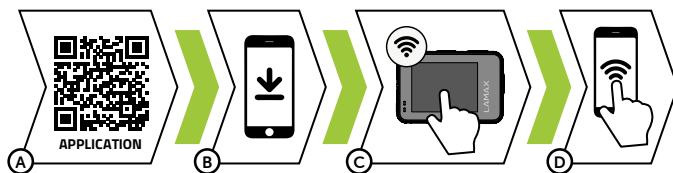
<b>Fénykép felbontás</b>	A készített fényképek felbontásának beállítása.
<b>LDC</b>	Halszem szűkítés.
<b>Metering</b>	Expozíció mérési mód beállítása. Három üzemmód közül választhat: „Közepes”, „Átlagos” és „Egy pont”. <ul style="list-style-type: none"><li>➤ Közép – Ez a beállítás olyan tárgyak felvételére alkalmas, amelyek túlnyomó részt a felvétel közepén lesznek majd.</li><li>➤ Átlagos – Ez a beállítás esetén a kamera az egész jelenet kapcsán információkat szerez a fényviszonyokról, és beállítja az átlagos értékeket.</li><li>➤ Spot – Ez a beállítás lehetővé teszi a jelenet egy kis részének mérését, az alapértelmezett beállítás a középpont. A felhasználó az érintőkijelző segítségével kiválaszthat jegy másik pontot is, amelyhez a kamera hozzáigazítja az expozíciót.</li></ul>
<b>Expozíció</b>	Expozíció kompenzáció beállítások. A magasabb érték világosabb, az alacsonyabb pedig sötétebb videofelvételt jelent.
<b>Rekesz</b>	Tesztelési sebesség beállítása.
<b>ISO</b>	Az ISO érték beállítása. A beállított ISO érték határozza meg a fényérzékenységet. Minél magasabb az érték, annál világosabb a kép.
<b>AWB</b>	Fehéregyensúly beállítás különböző fényviszonyok melletti felvételek készítés esetén.
<b>Jelenet mód</b>	Előre beállított üzemmódok különböző típusú jelenetekhez.
<b>Élesség</b>	A felvétel élességének beállítása.
<b>Szűrő</b>	Válasszon ki egy videószűrőt.
<b>Rács</b>	Rácsot megjelenítése a kijelzőn a jobb kompozíció érdekében.

## 7. KAMERA BEÁLLÍTÁSOK


<b>WiFi</b>	Megjeleníti a menüt, amelyben be/ki kapcsolható a WiFi. WiFi-vel kapcsolatos információk megjelenítése. Vagy a hálózat nevének, esetleg a WiFi jelszavának megváltoztatása.
<b>Kijelzőkímélő</b>	Beállítja az időtartamot, amelynek lejártát követően a kijelző az akku kímélése érdekében automatikusan kikapcsol. Érintse meg a kijelzőt, vagy nyomja meg a gombokat a kijelző újbóli aktiválásához.
<b>Automatikus kikapcsolás</b>	A kamera automatikus kikapcsolásának beállításai téltlenség esetére. Bekapcsolt állapotban a kamera kikapcsol, ha nem rögzít videót.
<b>Nyelv</b>	Nyelvválasztás.
<b>Video formátum</b>	Színkódolás kiválasztása.
<b>Hálózati frekvencia</b>	Lehetővé teszi az elosztóhálózati frekvenciának megfelelő frekvenciaérték kiválasztását (Európában ez az érték 50 Hz, Amerikában és Ázsia egy részében pedig 60 Hz).

<b>WDR</b>	Dinamikus tartomány be-/kikapcsolása.
<b>Hangerő</b>	Mikrofon hangerő beállítása.
<b>Szelfi kijelző</b>	Válasszon az előlő kijelzőn megjelenő tartalom nagyobb vagy kisebb nézete között.
<b>Képforgatás</b>	Forgassa el a képet 180°-kal.
<b>Bélyegző</b>	Vízjel beillesztése egy fényképbe vagy videóba.
<b>Billentyűhang</b>	A billentyűk hangjának be-/ki kapcsolása.
<b>Rekeszhang</b>	Rekeszhang be-/kikapcsolása.
<b>Bekapcsolás hang</b>	Üdvözlőhang be-/ki kapcsolása.
<b>Dátum Idő</b>	Rendszerdátum és idő beállítása.
<b>SD formátum</b>	A kártya formázása.
<b>Alapértelmezett beállítások</b>	A kamera alapértelmezett gyári beállításainak visszaállítása.
<b>Információ</b>	Lehetővé teszi a kamera firmware-információhoz való hozzáférést.

## 8. WIFI – MOBIL ALKALMAZÁS



A mobil alkalmazás segítségével megváltoztathatja a kamera üzemmódjait és beállításait, vagy megtekintheti és közvetlenül a mobil készülékére is letöltheti a felvett videókat és rögzített fényképeket.

- A** Olvassa be a QR-kódot az alkalmazás letöltéséhez, vagy kattintson a következő linkre: <https://www.lamax-electronics.com/w102/app/>
- B** Telepítse az alkalmazást a mobil eszközére.
- C** Kapcsolja be a WiFi-t a fényképezőgépen a hüvelykujjával lefelé húzva, majd a WiFi ikon  megnyomásával.
- D** Csatlakozzon rá a mobilkészülékével a kamera nevével rendelkező WiFi hálózathoz. A WiFi jelszava megjelenik a kamera képernyőjén (alapértelmezett beállítás 1234567890).

## 9. VÍZÁLLÓSÁG

**A vízbe merítéssel szembeni ellenálló képesség a következő feltételek mellett teljesül:**

### AKCIÓKAMERA:

A kamera tok nélkül 12 méteres vízoszlopig vízálló. Vízbe merítés előtt ellenőrizze le, hogy a kamera oldalán és alján lévő fedelek megfelelően vannak-e lezárva. A fedeleket és tömítéseket meg kell tisztítani minden szennyeződéstől, pl. portól, homoktól, stb. Soha ne nyissa fel a kamera fedelét mindaddig, amíg a kamera teste

meg nem száradt. Sós vízben történő használatot követően öblítse le a kamerát ivóvízzel. A szárításhoz soha ne használjon semmilyen textilt, se külső hőforrást (hajszárító, mikrohullámú sütő stb.), mindig hagyja, hogy a kamera lassan száradjon meg.

### **VÍZÁLLÓ TOK:**

A tok 40 méteres vízoszloppal szemben ellenálló. Mielőtt a kamerát a tokban használná, ellenőrizze le, hogy a tok hátsó ajtaja a tok tetején található mechanizmus segítségével megfelelően lett-e lezárva. A tok ajtaját és tömítéseit meg kell tisztítani minden szennyeződéstől, pl. portól, homoktól, stb. Sós vízben történő használatot követően öblítse le a tokot ivóvízzel. A szárításhoz soha ne használjon semmilyen textilt, se külső hőforrást (hajszárító, mikrohullámú sütő stb.), mindig hagyja, hogy a tok lassan száradjon meg. Vízálló tok használata esetén a kamera érintőképernyőjének felülete nem használható, és a kamerát a gombokkal kell működtetni.

### **TÁVIRÁNYÍTÓ:**

A távirányító 2 méteres vízoszloppal szemben ellenálló. Vízbe merítés előtt ellenőrizze le, hogy a távirányító alján található USB-fedél megfelelően le van-e zárva. Soha ne nyissa fel a fedelét, amíg meg nem száradt a távirányító teste. A szárításhoz soha ne használjon külső hőforrást (hajszárító, mikrohullámú sütő stb.), hagyja, hogy a távirányító lassan száradjon meg, vagy használjon puha szövetet.

## **10. BIZTONSÁGI INTÉZKEDÉSEK**

**Az első használat előtt a fogyasztó köteles megismerni a termék biztonságos használatának alapelveit.**

### **IRÁNYELVEK ÉS KÖZLEMÉNYEK**

- Saját biztonsága érdekében vezetés közben ne használja a készülék kezelőszerveit.
- Ha a felvevőt autóban használja, ablaktartóra van szükség. Helyezze a felvevőt megfelelő helyre, hogy ne akadályozza a vezető kilátását vagy a biztonsági funkciók (pl. légzsák) aktiválását.
- A kamera lencséjét semmi sem takarhatja el, és nem lehet semmilyen visszaverő anyag az objektív közelében. Tartsa tisztán a lencsét.
- Ha az autó szélvédőjét fényvisszaverő réteggel színezik, az korlátozhatja a felvétel minőségét.

### **BIZTONSÁGI ELVEK**

- Ne használja a töltőt erősen párás környezetben. Soha ne érintse meg a töltőt nedves kézzel vagy vízben állva.
- A készülék áramellátása vagy az akkumulátor töltésekor hagyjon elegendő helyet a töltő körül a levegő keringéséhez. Ne takarja le a töltőt papírral vagy más tárggyal, amely ronthatja a hűtését. Ne használja a szállítási csomagban tárolt töltőt.
- Csatlakoztassa a töltőt a megfelelő feszültségforráshoz. A feszültségadatok a termék burkolatán vagy a csomagolásán vannak feltüntetve.
- Ne használja a töltőt, ha nyilvánvalóan sérült. Ha a készülék megsérült, ne javítsa meg saját maga!
- Túlmelegedés esetén azonnal válassa le a készüléket az elektromos hálózatról.
- Felügyelet mellett töltsse fel a készüléket.
- A csomag apró alkatrészeket tartalmaz, amelyek veszélyesek lehetnek a gyermekek számára. A terméket mindig gyermekektől elzárva tárolja. A zacskók vagy a bennük található sok rész fulladást okozhat, ha lenyeljük vagy a fejre helyezzük.

### **BIZTONSÁGI MEGJEGYZÉS LI-ION AKKUMULÁTOROKHOZ**

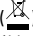
- Az első használat előtt teljesen töltsse fel az akkumulátort.
- A töltéshez csak az ilyen típusú akkumulátorokhoz készült töltőt használja.
- Használjon szabványos töltőkábeleket, különben a készülék megsérülhet.
- Soha ne csatlakoztasson mechanikusan sérült vagy duzzadt akkumulátorokat a töltőhöz. Ebben az állapotban egyáltalán ne használja az akkumulátort, mert fennáll a robbanásveszély.
- Ne használjon sérült hálózati adaptert vagy töltőt.

- Szobahőmérsékleten töltsé, soha ne töltsé 0°C alatt vagy 40°C felett.
- Ügyeljen az esésekre, ne szúrja ki vagy más módon károsítsa az akkumulátort. Soha ne javítsa meg a sérült akkumulátort.
- Ne tegye ki a töltőt vagy az akkumulátort nedvességnek, víznek, esőnek, hónak vagy különféle permeteknek.
- Ne hagyja az akkumulátort a járműben, ne tegye ki napfénynek és ne tegye hőforrások közelébe. Az erős fény vagy a magas hőmérséklet károsíthatja az akkumulátort.
- Soha ne hagyja felügyelet nélkül az akkumulátorokat töltés közben, mert rövidzárlat vagy véletlen túltöltés (gyorstöltésre nem alkalmas vagy túlárammal töltött akkumulátornál, vagy a töltő meghibásodása esetén) agresszív vegyszerek kiszivárgását, robbanást vagy azt követő tüzet okozhat!
- Ha az akkumulátor töltés közben túlmelegszik, azonnal húzza ki az akkumulátort.
- Töltés közben ne helyezze a töltőt és a feltöltött akkumulátort gyúlékony tárgyakra vagy azok közelébe. Ügyeljen a függönyökre, szőnyegekre, terítőkre stb.
- Ha a töltőkészülék teljesen feltöltődött, a biztonság kedvéért húzza ki a konnektorból.
- Tartsa távol az akkumulátort gyermekektől és állatoktól.
- Soha ne szerelje szét a töltőt vagy az akkumulátort.
- Ha az akkumulátor be van építve, soha ne szerelje szét a készüléket, hacsak másképp nem rendelkezik. Minden ilyen kísérlet kockázatos, és a termék megsérüléséhez és a garancia elvesztéséhez vezethet.
- Az elhasználdott vagy sérült elemeket ne dobja a szemetesbe, tűzbe, fűtőberendezésekbe, hanem adja le a veszélyeshulladék-gyűjtőhelyeken.

## A KÉSZÜLÉK KARBANTARTÁSA

- A készülék megfelelő karbantartása biztosítja a problémamentes működést és csökkenti a károsodás kockázatát.
- Tartsa távol a készüléket extrém páratartalomtól és hőmérséklettől, és ne tegye ki a készüléket hosszú ideig közvetlen napfénynek vagy ultraibolya sugárzásnak.
- Ne ejtse le a készüléket, és ne tegye ki erős ütéseknek.
- Ne tegye ki a készüléket hirtelen és hirtelen hőmérséklet-változásoknak. Ez páralecsapódást okozhat a készülék belsejében, ami károsíthatja a készüléket. Ha páralecsapódás lép fel, a további használat előtt hagyja teljesen megszáradni a készüléket.
- A kijelző felülete könnyen karcolható. Ne érintse meg éles tárgyakkal.
- Ne tisztítsa a készüléket, ha be van kapcsolva. Puha, szőszmentes kendővel tisztítsa meg a kijelzőt és a készülék külső felületét. Ne tisztítsa a kijelzőt papírtörölvél.
- Elvileg semmilyen módon ne kísérelje meg szétszerelni, javítani vagy módosítani a készüléket. A szétszerelés, módosítás vagy bármilyen javítási kísérlet érvényteleníti a garanciát, és a készülék károsodásához, vagy akár személyi sérüléshez vagy anyagi kárhoz vezethet.
- Ne tároljon vagy szállítson gyúlékony folyadékokat, gázokat vagy robbanásveszélyes anyagokat a készülékkel, annak alkatrészeivel vagy tartozékaival együtt.
- A lopás megelőzése érdekében ne hagyja a készüléket és a tartozékokat felügyelet nélkül jól látható helyen a járműben.
- A túlmelegedés károsíthatja a készüléket.
- Erősen klórozott vagy tengervízzel érintkezve öblítse le a kamerát ivóvízben, és szárítsa meg.
- Ne használjon külső hőforrást, például mikrohullámú sütőt vagy hajszárítót a fénycépezőgép szárításához.
- Úszás vagy bűvarkodás előtt mindig ellenőrizze, hogy az elemajtó vagy a tápcsatlakozó ajtaja nincs-e nyitva. Ha igen, zárja be őket. Ellenkező esetben a fénycépezőgép nem lesz vízálló.
- Az érintőképernyőt csak erre a célra szolgáló ruhával törölje le, és kerülje a megkarcolódást.

## TÖBB INFORMÁCIÓ

1) Háztartások számára: A terméken vagy a kísérő dokumentációban feltüntetett szimbólum  azt jelenti, hogy a használt elektromos vagy elektronikus termékeket nem szabad a kommunális hulladékkal együtt kidobni. A termék megfelelő ártalmatlanítása érdekében adja le azt a kijelölt gyűjtőhelyeken, ahol ingyenesen átveszik. A termék megfelelő ártalmatlanításával hozzájárul az értékes természeti erőforrások megőrzéséhez, és segít megelőzni a környezetre és az emberi egészségre gyakorolt lehetséges negatív hatásokat, amelyek a

nem megfelelő hulladékkezelésből származhatnak. További részletekért forduljon a helyi hatóságához vagy a legközelebbi gyűjtőhelyhez. Az ilyen típusú hulladékok szakszerűtlen ártalmatlanítása a nemzeti előírásoknak megfelelően bírságot vonhat maga után. Tájékoztatás a felhasználók számára az elektromos és elektronikus berendezések ártalmatlanításával kapcsolatban (vállalati és üzleti használatra): Az elektromos és elektronikus berendezések helyes ártalmatlanításával kapcsolatban kérjen részletes tájékoztatást kereskedőjétől vagy szállítójától. Tájékoztatás az Európai Unión kívüli országok elektromos és elektronikus berendezések ártalmatlanításával kapcsolatban: A fenti szimbólum (áthúzott szemetes) csak az Európai Unió országaiban érvényes. Az elektromos és elektronikus berendezések helyes ártalmatlanításával kapcsolatban kérjen részletes tájékoztatást a hatóságoktól vagy a berendezés forgalmazójától. Mindent kifejez az áthúzott tartály szimbólum a terméken, a csomagoláson vagy a nyomtatott anyagokon.

2) Jelentkezzen a készülék garanciális javítására a kereskedőjénél. Technikai problémák és kérdések esetén forduljon a kereskedőhöz, aki tájékoztatja Önt a következő eljárásról. Kövesse az elektromos eszközökkel végzett munka szabályait. A felhasználó nem jogosult a készüléket szétszerelni vagy annak alkatrészeit kicserélni. Fennáll az áramütés veszélye a burkolatok kinyitásakor vagy eltávolításakor. Fennáll az áramütés veszélye is, ha a készüléket nem megfelelően szerelik össze és csatlakoztatják vissza.

A termékek jótállási ideje 24 hónap, hacsak másként nem rendelkezik. A garancia nem terjed ki a nem szabványos használatból, mechanikai sérülésekből, agresszív körülményeknek való kitettségéből, a kézi utasítástól eltérő kezelésből és a normál kopásból eredő károokra. Az akkumulátor garanciális ideje 24 hónap, kapacitására 6 hónap. A garanciával kapcsolatos további információk a [www.elem6.com/warranty](http://www.elem6.com/warranty) oldalon található.

A gyártó, az importőr vagy a forgalmazó nem vállal felelősséget a termék beszereléséből vagy helytelen használatából eredő károkért.

## **EU MEGFELELŐSÉGI NYILATKOZAT:**

Az elem6 s.r.o. ezennel kijelenti, hogy a LAMAX W10.2 készülék megfelel a 2014/30/EU és a 2014/53/EU irányelv alapvető követelményeinek és egyéb vonatkozó rendelkezéseinek. Az összes LAMAX márkaterméket korlátozás nélkül értékesítik Németországban, Csehországban, Szlovákiában, Lengyelországban, Magyarországon és más EU-tagországokban. A teljes Megfelelőségi Nyilatkozat letölthető a <https://www.lamax-electronics.com/support/doc/> címről.

- Frekvenciasáv, amelyben a rádiókészülék működik: 2,4 – 2,48 GHz
- Maximális sugárzott rádiófrekvenciás teljesítmény abban a frekvenciasávban, amelyben a rádióberendezés működik: 12,51 dBi

## **GYÁRTÓ:**

elem6 s.r.o., Braškovská 308/158, 161 00 Praha 6  
[www.lamax-electronics.com](http://www.lamax-electronics.com)



**A nyomdai hibák és a kézikönyv változtatásai fenntartva.**

**LAMAX**  
E L E C T R O N I C S

---

# LAMAX W10.2

ACTION CAMERA



---

SL – Uporabniški priročnik

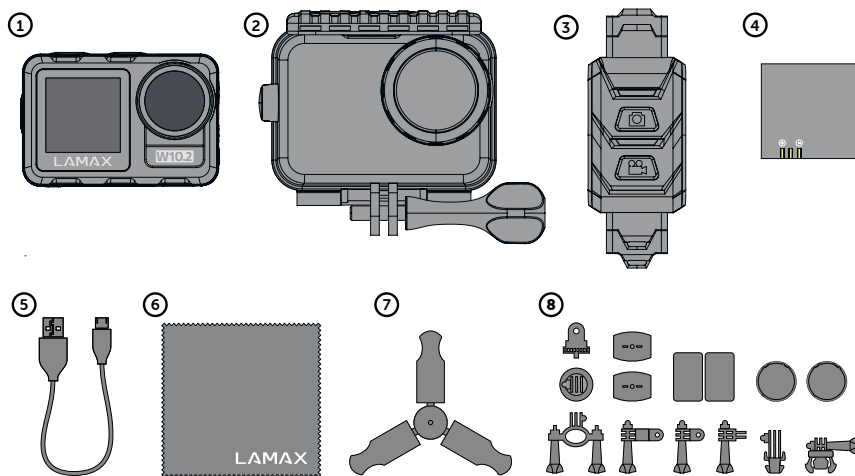
---

## VSEBINA

1. VSEBINA PAKIRANJA.....	2
2. SPOZNAVANJE KAMERE.....	3
3. UPRAVLJANJE KAMERE.....	4
4. PRVI VKLOP.....	4
5. NASTAVITVE V NAČINU VIDEO.....	5
6. NASTAVITVE V NAČINU FOTOAPARAT.....	6
7. NASTAVITVE KAMERE.....	6
8. WIFI – MOBILNA APLIKACIJA.....	7
9. VODOODPORNOST.....	7
10. VARNOSTNI UKREPI.....	8

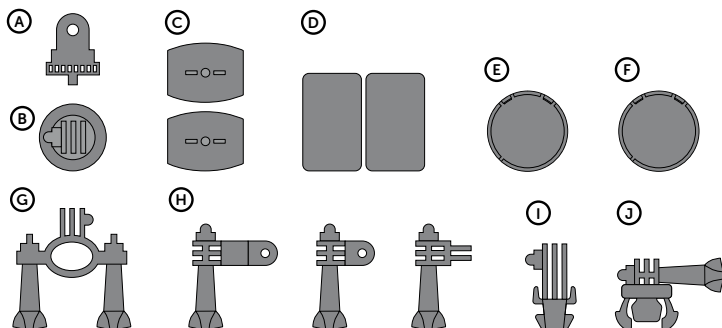
---

## 1. VSEBINA PAKIRANJA



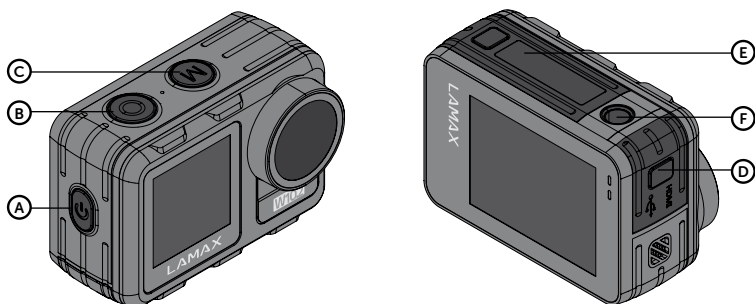
- |  |   |
|--|---|
| 1 Akcijska kamera LAMAX W10.2              | 5 Kabel USB-C za polnjenje/prenos datotek |
| 2 Vodotesno ohišje do 40 m                 | 6 Krpa iz mikrovlnen                      |
| 3 Vodoodporno daljinsko upravljanje do 2 m | 7 Mini stojalo                            |
| 4 Li-ionska baterija                       | 8 Držala                                  |

## DRŽALA



- A Reducirni nastavek za stativ – za povezavo kamere brez etuija na dodatke
- B Adapter za stativ – za povezavo kamere v etuiju na stativ
- C Samolepilno držalo (2x) – za pritrditev na gladko površino (čelada, pokrov motorja)
- D Nadomestne podložke 3M (2x) – za večkratno lepljenje samolepilnega držala
- E Růžový filtr na potápění
- F Čirý filtr na ochranu objektivu
- G Držalo za palico – za pritrditev, na primer, na krmilo
- H 3-axis connector (3 deli) – za pritrditev v poljubni smeri
- I J mount – za hitro pritrditev z možnostjo dviga
- J Fast plug-in – za hitro pričvrstitev držala

## 2. SPOZNAVANJE KAMERE










- A Gumb POWER
- B Gumb REC
- C Gumb MODE
- D Vratca za priključka USB-C in micro HDMI
- E Vratca za baterijo in reža za kartico micro SD
- F Navoj za pritrditev kamere na stojalo ali selfi palico

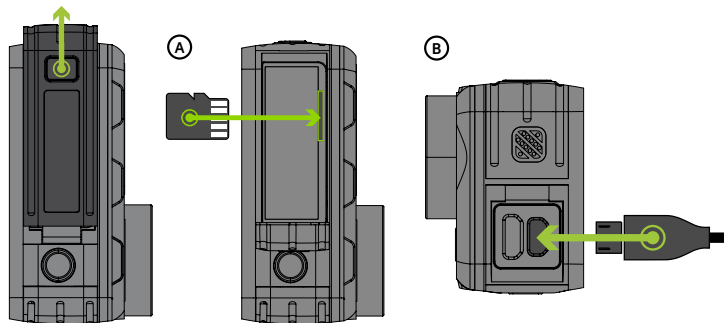
**Opomba:** Uporabljajte samo priporočene dodatke, sicer lahko pride do poškodbe kamere.



### 3. UPRAVLJANJE KAMERE

<b>Vklop in izklop</b>	Pridržite tipko POWER ali povlecite s palcem navzdol in nato pritisnite ikono POWER
<b>Izbira načina</b>	Z dotikom ikone  , tipke »MODE« ali s potegom palca navzgor nato izberite zeleni način
<b>Nastavitve načina</b>	Z dotikom ikone  ali s tipko »POWER«
<b>Nastavitve</b>	Dotaknite se ikone 
<b>Pregledovanje datotek</b>	Dotaknite se ikone 
<b>Preklopjanje med zasloni</b>	Držite pritisnjen gumb „MODE“
<b>Vrnitev</b>	Z dotikom ikone <
<b>Vklop daljinskega upravljalnika</b>	Povlecite s prstom navzdol in nato kliknete na ikono Daljinskega upravljalnika 
<b>Kontrolna ključavnica</b>	Tako, da s prstom povlečete navzdol in se nato dotaknete ikone ključavnice 
<b>Izklop fotoaparata</b>	Podrsnite navzdol in tapnite ikono Izklop 

### 4. PRVI VKLOP



#### A VSTAVITE KARTICO MICROSD V KAMERO, KOT PRIKAZUJE SLIKA (KONEKTORJI V SMERI OBJEKTIVA)

- › Pritisnite varnostni gumb na dnu fotoaparata. Potisnite vrata navzven in jih odprite.
- › Kartico vstavljajte samo, ko je kamera izklopljena in ni priključena na računalnik.
- › Kartico pri prvi uporabi formatirajte neposredno v kameri.
- › Priporočamo pomnilniške kartice z večjo hitrostjo zapisovanja (UHS Speed Class –U3 in višje) in maksimalno velikost 256 GB.

**Opomba:** Uporabljajte le kartice Micro SDHC in SDXC priznanih proizvajalcev. Kartice ostalih proizvajalcev ne zagotavljajo pravilnega delovanja podatkovne shrambe.

## **B** PRIKLJUČITE KAMERO NA NAPAJANJE

- Kamero lahko polnite tako s priključitvijo na računalnik kot s pomočjo omrežnega adapterja, ki ga je mogoče dokupiti.
- Pred prvo uporabo baterijo povsem napolnite.
- Polnjenje baterije od 0 do 100 % traja približno 4,5 ure. Po napolnitvi kazalec polnjenja ugasne

**Opomba:** Polnjenje baterije od 0 do 80 % traja 2,5 ure.

## 5. NASTAVITVE V NAČINU VIDEO

<b>Ločljivost</b>	Nastavite ločljivost in FPS (število sličic na sekundo), pri katerih bo kamera smejala.
<b>Ciklično snemanje (Zanka)</b>	Če je vklopljeno, bo video razdeljen na časovne segmente glede na izbrano nastavitvev.
<b>Zvok</b>	Nastavite, ali naj fotoaparati snema zvok.
<b>Kodiranje</b>	Izbira video kodeka.
<b>LDC</b>	Odstranjevanje učinka ribjega očesa.
<b>Stabilizacija</b>	Omogočite/odklopite stabilizacijo MAXsmooth, ki je na voljo v vseh ločljivostih pri največ 60 sličicah na sekundo. Ko je stabilizacija vklopljena, je FOV manjša in lahko tudi negativno vpliva na kakovost videoposnetka v slabših svetlobnih pogojih. Ni mogoče kombinirati s popravljanjem ribjega očesa.
<b>Meritve</b>	Nastavite način merjenja osvetlitve. Izbirate lahko med tremi načini "Center", "Povprečen" in "Spot". <ul style="list-style-type: none"><li>➤ Center – Ta nastavev je primerna za fotografiranje predmetov, ki bodo večinoma na sredini okvirja.</li><li>➤ Povprečje – Pri tej nastavitvi fotoaparati dobi informacije o svetlobi iz celotnega prizora in nastavi povprečno vrednost.</li><li>➤ Spot – Ta nastavev vam omogoča merjenje majhnega dela scene, privzeta nastavev je na sredini. Uporabnik lahko preko zaslona na dotik izbere drugo točko, iz katere kamera določa osvetlitev.</li></ul>
<b>Izpostavljenost</b>	Nastavitve kompenzacije osvetlitve. Višja vrednost pomeni svetlejši videoposnetek, nižja vrednost pa temnejši videoposnetek.
<b>Zaklop</b>	Izbira hitrosti zaklopa.
<b>ISO</b>	Nastavev vrednosti ISO. Nastavljena vrednost ISO določa občutljivost na svetlobo. Višja vrednost pomeni svetlejši posnetek.
<b>AWB</b>	Nastavev ravnovesja beline za različne načine osvetlitve scene.
<b>Scenski način</b>	Privzeti načini nastavitvev za različne vrste scen.
<b>Ostrina</b>	Nastavitve ostrine videa.
<b>Mrežica</b>	Na zaslonu prikaže mrežo za boljšo kompozicijo.
<b>Filter</b>	Izbira filtra videoposnetka.

## 6. NASTAVITVE V NAČINU FOTOAPARAT

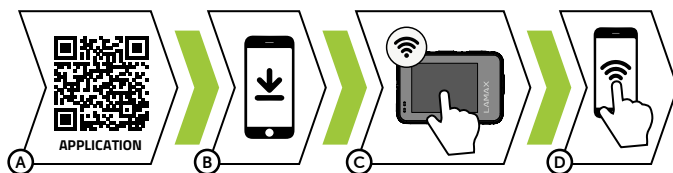
<b>Ločljivost</b>	Nastavite ločljivost posnetih fotografij.
<b>LDC</b>	Odstranjevanje učinka ribjega očesa.
<b>Meritve</b>	<p>Nastavite način merjenja osvetlitve. Izbirate lahko med tremi načini "Center", "Povprečen" in "Spot".</p> <ul style="list-style-type: none"><li>› Center – Ta nastavek je primerna za fotografiranje predmetov, ki bodo večinoma na sredini okvirja.</li><li>› Povprečje – Pri tej nastavitvi fotoaparati dobi informacije o svetlobi iz celotnega prizora in nastavi povprečno vrednost.</li><li>› Spot – Ta nastavek vam omogoča merjenje majhnega dela scene, privzeta nastavek je na sredini. Uporabnik lahko preko zaslona na dotik izbere drugo točko, iz katere kamera določa osvetlitev.</li></ul>
<b>Izpostavljenost</b>	Nastavitve kompenzacije osvetlitve. Višja vrednost pomeni svetlejši videoposnetek, nižja vrednost pa temnejši videoposnetek
<b>Zaklop</b>	Izbira hitrosti zaklopa.
<b>ISO</b>	Nastavek vrednosti ISO. Nastavljena vrednost ISO določa občutljivost na svetlobo. Višja vrednost pomeni svetlejši posnetek.
<b>AWB</b>	Nastavek ravnovesja beline za različne načine osvetlitve scene.
<b>Način scene</b>	Prednastavljeni načini za različne vrste prizorov.
<b>Ostrina</b>	Nastavitve ostrine videa.
<b>Filter</b>	Izbira filtra videoposnetka.
<b>Mreža</b>	Prikaže mrežo na zaslonu za boljšo kompozicijo.

## 7. NASTAVITVE KAMERE


<b>WiFi</b>	Prikaže meni, kjer lahko vklopite/izklopite WiFi. Oglejte informacij o WiFi. Lahko tudi spremenite ime omrežja ali geslo za WiFi.
<b>Ohranjevalnik zaslona</b>	Nastavlja čas, po katerem se zaslon samodejno izklopi z namenom varčevanja baterije. Z dotikom na zaslon ali s pritiskom na gumbe se zaslon ponovno aktivira.
<b>Samodejni izklop</b>	Nastavek samodejnega izklopa kamere ob nedejavnosti. Vključena funkcija izklopi kamero, če se ne snema video.
<b>Jezik</b>	Izbira jezika.
<b>Format videa</b>	Izbira barvnega kodiranja.
<b>Frekvenca</b>	Omogoča izbiro frekvence v skladu s frekvenco omrežne napeljave (v Evropi je v omrežju napeljan tok s frekvenco 50 Hz, v Ameriki in delu Azije pa 60 Hz).
<b>WDR</b>	Vklop/izklop dinamičnega razpona.
<b>Glasnost</b>	Prilagodi glasnost mikrofona.

<b>Prikaz selfijev</b>	Izbirajte med večjim in manjšim prikazom vsebine na sprednjem zaslonu.
<b>Obračanje slike</b>	Obračanje slike za 180°.
<b>Žig</b>	Dodajanje vodnega žiga fotografiji in videu.
<b>Zvok tipk</b>	Vklop/izklop zvoka tipk.
<b>Zvok zaklopa</b>	Vklop/izklop zvoka zaklopa.
<b>Zvok ob vklopu</b>	Vklop/izklop pozdravnega tona.
<b>Datum Čas</b>	Nastavitev systemskega datuma in časa.
<b>Format SD</b>	Formatiranje kartice.
<b>Tovarniške nastavitve</b>	Možnost ponastavitve kamere na tovarniške nastavitve.
<b>Informacije</b>	Omogoča dostop do informacij o vdelani programski opremi fotoaparata.

## 8. WIFI – MOBILNA APLIKACIJA



S pomočjo mobilne aplikacije boste lahko spreminjali načine in nastavitve kamere ali si ogledovali ter prenašali posnete videe in fotografije neposredno na svoj mobilni telefon.

- A** Optično preberite kodo QR za prenos aplikacije ali kliknite na naslednjo povezavo:  
<https://www.lamax-electronics.com/w102/app/>
- B** Namestite aplikacijo na svojo mobilno napravo.
- C** Vključite WiFi kamere tako, da povlečete s palcem navzdol in nato pritisnete ikono WiFi .
- D** Na svoji mobilni napravi se povežite v omrežje WiFi z imenom kamere. Geslo za WiFi je prikazano na zaslonu kamere (tovarniško 12345678).

## 9. VODOODPORNOST

**Odpornost pri potopitvi v vodo je izpolnjena ob naslednjih pogojih:**

### AKCIJSKA KAMERA:

Kamera brez ovitka lahko prenese potopite do globine 12 metrov. Pred potapljanjem se prepričajte, da so pokrovi ob strani in na dnu kamere pravilno zaprti. Pokrovi in tesnila morajo biti očiščeni vseh nečistoč, kot so prah, pesek in podobno. Pokrovov kamere ne odpirajte, dokler ni telo kamere povsem suho. V primeru, da ste kamero uporabljali v slani vodi, jo sperite s pitno vodo. Za sušenje ne uporabljajte nobenih tekstilnih materialov ali zunanjih virov toplote (sušilnik za lase, mikrovalovna pečica ipd.), vedno pustite, da se kamera posuši na zraku.

### VODOTESNI ETUI:

Etui se lahko potopi do globine 40 metrov. Pred uporabo kamere v etuiju se prepričajte, da ste pravilno zaprli zadnja vratca etuija s pomočjo mehanizma na zgornji strani etuija. Vratca in tesnilo etuija mora biti brez kakršnekoli nečistoče, kot je prah, pesek in podobno. Pri uporabi v slani vodi sperite etui s pitno vodo. Za sušenje ne

uporabljajte nobenih tekstilnih materialov ali zunanjega vira toplote (sušilnik, mikrovalovna pečica ipd.), etui vedno pustite, da se postopoma posuši sam. V primeru uporabe vodotesnega etuija ni mogoče uporabiti površine na dotik zaslona kamere in je kamero treba upravljati z gumbi.

### **DALJINSKI UPRAVLJALNIK:**

Daljinski upravljalnik lahko prenese potopitev do globine 2 metrov. Pred potopitvijo se prepričajte, da je pokrov USB na spodnji strani upravljalnika pravilno zaprt. Pokrova ne odpirajte, dokler ni telo daljinskega upravljalnika povsem suho. Za sušenje ne uporabljajte zunanjih virov toplote (sušilnik za lase, mikrovalovna pečica ipd.), pustite, da se daljinski upravljalnik posuši na zraku ali za sušenje uporabite mehko krpo.

## **10. VARNOSTNI UKREPI**

**Pred prvo uporabo se je potrošnik dolžan seznaniti z načeli varne uporabe izdelka.**

### **POLITIKE IN OBVESTILA**

- Za zagotovitev lastne varnosti ne uporabljajte upravljalnih elementov te naprave med vožnjo.
- Pri uporabi snemalnika v avtomobilu je potrebno držalo za okna. Snemalnik postavite na primerno mesto, tako da ne ovira voznikovega pogleda ali aktiviranja varnostnih elementov (npr. zračnih blazin).
- Objektiv fotoaparata ne sme biti zakrit z ničemer in v bližini objektivna ne sme biti odsevnega materiala. Poskrbite, da bo leča čista.
- Če je vetrobransko steklo avtomobila zatemnjeno z odsevnim slojem, lahko to omeji kakovost posnetka.

### **VARNOSTNA NAČELA**

- Polnilnika ne uporabljajte v zelo vlažnem okolju. Nikoli se ne dotikajte polnilnika z mokrimi rokami ali ko stojite v vodi.
- Ko napajate napravo ali polnite baterijo, pustite okoli polnilnika dovolj prostora za kroženje zraka. Polnilnika ne prekrivajte s papirji ali drugimi predmeti, ki bi lahko poslabšali njegovo hlajenje. Ne uporabljajte polnilnika, ki je shranjen v transportni embalaži.
- Polnilnik priključite na pravi vir napetosti. Podatki o napetosti so navedeni na ohišju izdelka ali na njegovi embalaži.
- Polnilnika ne uporabljajte, če je očitno poškodovan. Če je naprava poškodovana, je ne popravljajte sami!
- V primeru premočnega segrevanja napravo takoj izključite iz električnega omrežja.
- Napravo polnite pod nadzorom.
- Paket vsebuje majhne dele, ki so lahko nevarni za otroke. Izdelek vedno shranjujte izven dosega otrok. Vrečke ali številni deli, ki jih vsebujejo, lahko povzročijo zadušitev, če jih zaužijete ali nanesete na glavo.

### **VARNOSTNO OBVESTILO ZA LI-ION BATERIJE**


- Pred prvo uporabo popolnoma napolnite baterijo.
- Za polnjenje uporabljajte samo polnilnik, ki je namenjen za to vrsto baterije.
- Uporabljajte standardne polnilne kable, sicer lahko poškodujete napravo.
- Na polnilnik nikoli ne priključite mehansko poškodovanih ali nabreklih baterij. Baterije v tem stanju sploh ne uporabljajte, obstaja nevarnost eksplozije.
- Ne uporabljajte poškodovanega napajalnika ali polnilnika.
- Polnite pri sobni temperaturi, nikoli ne polnite pod 0 °C ali nad 40 °C.
- Pazite se padcev, ne preluknjajte ali kako drugače poškodujte baterije. Nikoli ne popravljajte poškodovane baterije.
- Polnilnika ali baterije ne izpostavljajte vlagi, vodi, dežju, snegu ali raznim pršilom.
- Akumulatorja ne puščajte v vozilu, ne izpostavljajte ga sončni svetlobi in ga ne postavljajte v bližino virov toplote. Močna svetloba ali visoke temperature lahko poškodujejo baterijo.
- Nikoli ne puščajte baterij brez nadzora med polnjenjem, kratak stik ali nenamerno prekomerno polnjenje (pri bateriji, ki ni primerna za hitro polnjenje ali je napolnjena s prevelikim tokom ali v primeru okvare polnilnika) lahko povzroči uhajanje agresivnih kemikalij, eksplozijo ali posledično požar!
- Če se baterija med polnjenjem pregreje, takoj odklopite baterijo.

- Med polnjenjem ne postavljajte polnilnika in napolnjene baterije na ali v bližino vnetljivih predmetov. Bodite pozorni na zavese, preproge, prte itd.
- Ko je polnilna naprava popolnoma napolnjena, jo zaradi varnosti odklopite.
- Baterijo hranite izven dosega otrok in živali.
- Nikoli ne razstavljajte polnilnika ali baterije.
- Če je baterija vgrajena, nikoli ne razstavljajte naprave, razen če je navedeno drugače. Vsak tak poskus je tvegan in lahko povzroči poškodbe izdelka in posledično izgubo garancije.
- Izrabljenih ali poškodovanih baterij ne odvrzite v smeti, ogenj ali v kurilne naprave, temveč jih oddajte na zbirnih mestih za nevarne odpadke.

## VZDRŽEVANJE NAPRAVE

- Dobro vzdrževanje te naprave bo zagotovilo nemoteno delovanje in zmanjšalo tveganje poškodb.
- Naprave ne izpostavljajte ekstremni vlažnosti in temperaturam ter je ne izpostavljajte neposredni sončni svetlobi ali ultravijoličnemu sevanju za daljši čas.
- Naprave ne pazite na tla in je ne izpostavljajte močnim udarcem.
- Naprave ne izpostavljajte nenadnim in nenadnim temperaturnim spremembam. To lahko povzroči kondenzacijo vlage v napravi, kar lahko poškoduje napravo. Če pride do kondenzacije vlage, počakajte, da se naprava pred nadaljnjo uporabo popolnoma posuši.
- Površino zaslona je mogoče zlahka opraskati. Ne dotikajte se ga z ostrimi predmeti.
- Naprave ne čistite, ko je vklopljena. Zaslona in zunanjo površino naprave očistite z mehko krpo, ki ne pušča vlaken. Zaslona ne čistite s papirnatiimi brisačami.
- Načeloma naprave ne poskušajte razstaviti, popraviti ali kakor koli spremeniti. Razstavljanje, spreminjanje ali kakršen koli poskus popravila razveljavi garancijo in lahko povzroči škodo na napravi ali celo telesne poškodbe ali materialno škodo.
- Ne shranjujte ali prevažajte vnetljivih tekočin, plinov ali eksplozivnih snovi skupaj z napravo, njenimi deli ali dodatki.
- Da preprečite krajo, naprave in dodatne opreme ne puščajte brez nadzora na vidnem mestu v vozilu.
- Pregrevanje lahko poškoduje napravo.
- V stiku z močno klorirano ali morskno vodo sperite kamero v pitni vodi in jo posušite.
- Za sušenje fotoaparata ne uporabljajte zunanjega vira toplote, kot je mikrovalovna pečica ali sušilnik za lase.
- Pred plavanjem ali potapljanjem vedno preverite, da vratca baterije ali vratca za napajanje niso priprta. Če je tako, jih zaprite. V nasprotnem primeru fotoaparata ne bo vodotesen.
- Zaslona na dotik obrišite samo s krpo, ki je namenjena temu, in ga ne opraskajte.

## VEČ INFORMACIJ

1) Za gospodinjstva: Označen simbol () na izdelku ali v spremni dokumentaciji pomeni, da rabljenih električnih ali elektronskih izdelkov ne smete odlagati skupaj s komunalnimi odpadki. Za pravilno oddajo izdelka ga oddajte na za to določenih zbirnih mestih, kjer ga bodo sprejeli brezplačno. S pravilnim odlaganjem tega izdelka pomagate ohranjati dragocene naravne vire in pomagata preprečiti morebitne negativne vplive na okolje in zdravje ljudi, ki bi lahko nastali zaradi nepravilnega odlaganja odpadkov. Za več podrobnosti se obrnite na lokalne oblasti ali najbližje zbirno mesto. Nepravilno odlaganje te vrste odpadkov lahko povzroči globe v skladu z nacionalnimi predpisi. Informacije za uporabnike o odlaganju električne in elektronske opreme (uporaba v podjetju in za poslovne namene): Za pravilno odlaganje električne in elektronske opreme se za podrobnejše informacije obrnite na svojega prodajalca ali dobavitelja. Informacije za uporabnike za odlaganje električne in elektronske opreme v drugih državah izven Evropske unije: Zgornji simbol (prečrtan koš) velja le v državah Evropske unije. Za pravilno odlaganje električne in elektronske opreme zahtevajte podrobne informacije od svojih organov ali prodajalca opreme. Vse je izraženo s simbolom prečrtane embalaže na izdelku, embalaži ali tiskovinah.

2) Prijavite se za garancijsko popravilo naprave pri vašem prodajalcu. V primeru tehničnih težav in vprašanj se obrnite na vašega prodajalca, ki vas bo obvestil o nadaljnjem postopku. Upoštevajte pravila za delo z električnimi napravami. Uporabnik ni pooblaščen za razstavljanje naprave ali zamenjavo katerega koli njenega dela. Pri odpiranju ali odstranjevanju pokrovov obstaja nevarnost električnega udara. Prav tako tvegata električni udar, če napravo sestavite in ponovno priključite nepravilno.

Garancijski rok za izdelke je 24 mesecev, če ni drugače določeno. Garancija ne pokriva škode, ki nastane zaradi nestandardne uporabe, mehanskih poškodb, izpostavljenosti agresivnim pogojem, ravnanja v nasprotju z navodili in običajne obrabe. Garancijska doba za baterijo je 24 mesecev, za kapaciteto 6 mesecev. Več informacij o garanciji najdete na [www.elem6.com/warranty](http://www.elem6.com/warranty)

Proizvajalec, uvoznik ali distributer ne odgovarja za morebitno škodo, povzročeno z namestitvijo ali napačno uporabo izdelka.

### EU IZJAVA O SKLADNOSTI:

Podjetje elem6 s.r.o. s tem izjavlja, da je naprava LAMAX W10.2 v skladu z bistvenimi zahtevami in drugimi ustreznimi določbami Direktive 2014/30/EU in 2014/53/EU. Vsi izdelki blagovne znamke LAMAX so namenjeni neomejeni prodaji v Nemčiji, na Češkem, Slovaškem, Poljskem, Madžarskem in v drugih državah članicah EU. Celotno izjavo o skladnosti lahko prenesete s spletnega mesta <https://www.lamax-electronics.com/support/doc/>

- Frekvenčni pas, v katerem radijska naprava deluje: 2,4 – 2,48 GHz
- Največja radiofrekvenčna moč, oddana v frekvenčnem pasu, v katerem deluje radijska oprema: 12,51 dBi

### PROIZVAJALEC:

elem6 s.r.o., Braškovská 308/158, 161 00 Praga 6  
[www.lamax-electronics.com](http://www.lamax-electronics.com)



**Pridržujemo si pravico do tiskarskih napak in sprememb v priročniku.**

# LAMAX

ELECTRONICS

---

# LAMAX W10.2

ACTION CAMERA



---

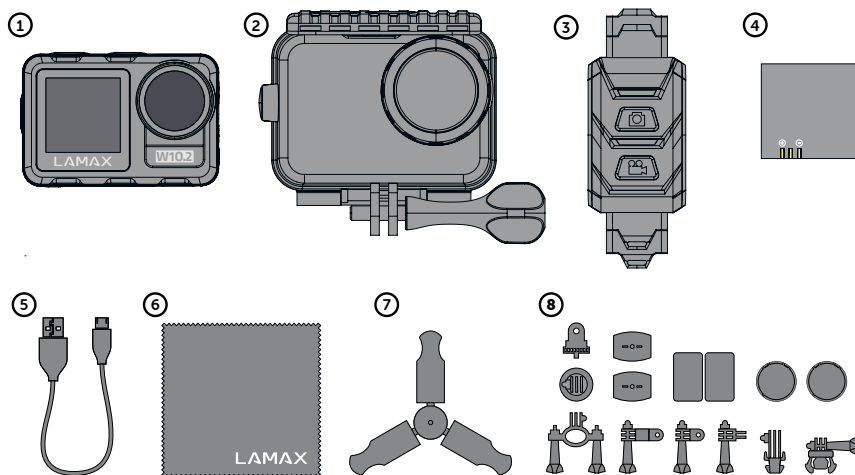
HR – Korisnički priručnik



## SADRŽAJ

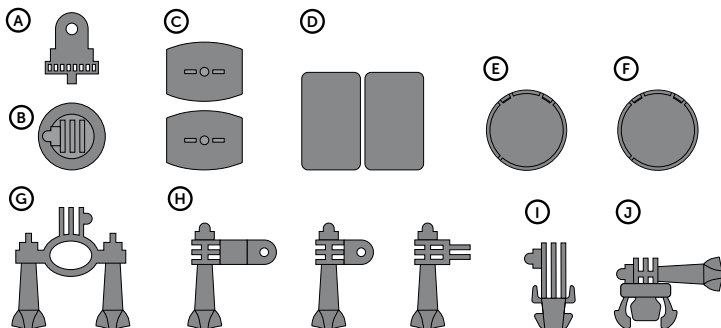
1. SADRŽAJ PAKIRANJA.....	2
2. UPOZNAVANJE KAMERE.....	3
3. UPRAVLJANJE KAMEROM .....	4
4. PRVO UKLJUČENJE.....	4
5. POSTAVKE U REŽIMU VIDEO.....	5
6. POSTAVKE U FOTO NAČINU.....	6
7. POSTAVKE KAMERE.....	6
8. WIFI – MOBILNA APLIKACIJA.....	7
9. VODOOTPORAN.....	7
10. SIGURNOSNE MJERE.....	8

## 1. SADRŽAJ PAKIRANJA



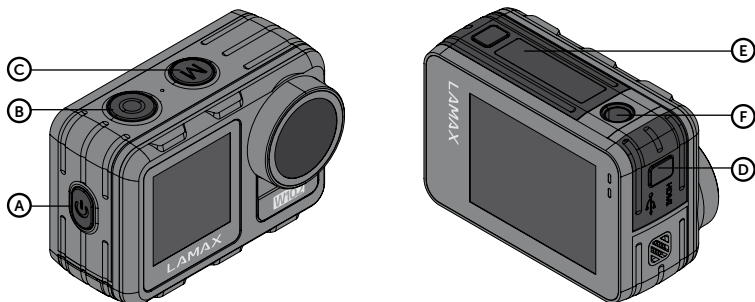
- |   |   |
|---|---|
| ① Akcijska kamera LAMAX W10.2                       | ⑤ USB-C kabel za punjenje / prijenos datoteka |
| ② Vodonepropusno kućište za zaron do dubine od 40 m | ⑥ Krpica od mikrofibre                        |
| ③ Daljinski upravljač vodoootporan do 2 m           | ⑦ Ministativ                                  |
| ④ Li-ion baterija                                   | ⑧ Držači                                      |

## DRŽAČI



- (A) Redukcija za stativ – za spajanje kamere bez kućišta na dodatnu opremu
- (B) Adapter za stativ – za spajanje kamere u kućištu na stativ
- (C) Samoljepljivi držač (2x) – za pričvršćivanje na glatku površinu (kaciga, poklopac motora)
- (D) Rezervne 3M naljepnice (2x) – za ponovno lijepljenje samoljepljivog držača
- (E) Ružičasti filter za ronjenje
- (F) Prozirni filter za zaštitu leće
- (G) Držač za šipku – za pričvršćivanje npr. na upravljač
- (H) 3-axis connector (3 dijela) – za pričvršćivanje u bilo kojem smjeru
- (I) J mount – za brzo spajanje s podizanjem
- (J) Fast plug-in – za brzo spajanje na držač








## 2. UPOZNAVANJE KAMERE



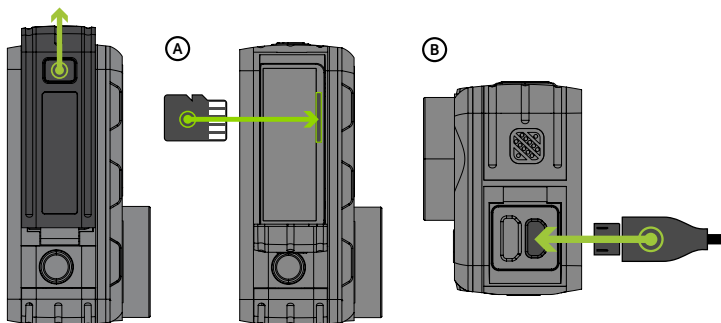
- (A) Tipka POWER
- (B) Tipka REC
- (C) Tipka MODE
- (D) Poklopac USB-C i mikro HDMI konektora
- (E) Poklopac pretinca za bateriju i utora za mikro SD karticu
- (F) Navoj za učvršćivanje kamere na stativ ili štاپ za slefije

**Napomena:** Koristite samo preporučenu dodatnu opremu, inače se kamera može oštetiti.

### 3. UPRAVLJANJE KAMEROM

<b>Uključivanje i isključivanje</b>	Držanjem gumba POWER ili povlačenjem palca prema dolje i zatim pritiskom ikone POWER
<b>Odabir načina rada</b>	Dodirom ikone  , gumba MODE ili povlačenjem palca prema gore i zatim odabirom željenog načina rada
<b>Postavka načina rada</b>	Dodirom ikone  ili gumba POWER
<b>Postavke</b>	Dodirnite ikonu 
<b>Pregledavanje datoteka</b>	Dodirom ikone 
<b>Precicanje između zaslona</b>	Držeći pritisnutu tipku „MODE“
<b>Povratak</b>	Dodirom na ikonu <
<b>Uključivanje daljinskog upravljača</b>	Povlačenjem prsta prema dolje i zatim klikom ikone daljinskog upravljača 
<b>Kontrolna brava</b>	Povlačenjem prsta prema dolje i dodirivanjem ikone lokota 
<b>Isključite kameru</b>	Povlačenjem prema dolje i dodirivanjem ikone za isključivanje 

### 4. PRVO UKLJUČENJE



#### A UMETNITE MICROSD KARTICU U KAMERU KAKO JE PRIKAZANO NA SLICI (KONEKTORI OKREnutI PREMA OBJEKTIVU)

- Pritisnite sigurnosnu tipku na dnu kamere. Gurnite vrata prema van i otvorite ih.
- Umetnite karticu samo kada je kamera isključena i nije spojena na računalo.
- Kada karticu koristite prvi put, formatirajte je izravno u kameri.
- Preporučujemo memorijske kartice s višom klasom brzine (UHS Speed Class – U3 i viša) i maksimalnog kapaciteta 256 GB.

**Napomena:** Koristite samo Micro SDHC ili SDXC kartice renomiranih proizvođača. Kartice nepoznatih proizvođača ne jamče ispravno funkcioniranje pohrane podataka.

## **B** PRIKLJUČITE KAMERU NA NAPAJANJE

- Kameru možete puniti tako da je spojite s računalom, kao i pomoću mrežnog adaptera koji se može do- kupiti.
- Prije prve upotrebe potpuno napunite bateriju.
- Punjenje baterije od 0 do 100% traje otprilike 4 sata. Nakon punjenja, indikator napunjenosti baterije se gasi.

**Napomena:** Punjenje baterije od 0 do 80% traje 2,5 sata.

## 5. POSTAVKE U REŽIMU VIDEO

<b>Rezolucija</b>	Postavka rezolucije u kojoj će kamera snimati i fps (frames per second- snimki u sekundi).
<b>Cikličko snimanje (petlja)</b>	Ako je uključeno, video će biti podijeljen na vremenske segmente prema odabranim postavkama.
<b>Zvukovi</b>	Uključivanje/isključivanje zvukova sustava kamere i njihova glasnoća.
<b>Kodiranje</b>	Odabir videokodeka.
<b>LDC</b>	Smanjenje ribljeg oka.
<b>Stabilizacija</b>	Omoгуčite/onemogučite MAXsmooth stabilizaciju, koja je dostupna u svim rezolucijama pri maksimalno 60 fps. Kada je stabilizacija uključena, kut gledanja (FOV) je manji i također može negativno utjecati na kvalitetu videa u uvjetima lošeg osvjetljenja. Ne može se kombinirati s funkcijom korekcije ribljeg oka.
<b>Mjerenje</b>	Postavljanje metode mjerenja ekspozicije. Postoje tri načina za odabir: "Centar", "Prosječno" i "Spot". <ul style="list-style-type: none"><li>➤ Središte – Ova postavka je prikladna za snimanje objekata koji će se uglavnom nalaziti u sredini kadra.</li><li>➤ Prosječno – U ovoj postavci kamera dobiva svjetlosne informacije iz cjeline scene i postavite prosječne vrijednosti.</li><li>➤ Točka – Ova postavka omogućuje mjerenje malog dijela scene, za- dana postavka je sredina. Korisnik može pomoću dodirnog zaslona odabrati drugu točku iz koje kamera određuje ekspoziciju.</li></ul>
<b>Ekspozicija</b>	Postavke kompenzacije ekspozicije. Viša vrijednost znači svjetliji video, niža vrijednost znači tamniji video.
<b>Blenda</b>	Odabir brzine blende.
<b>ISO</b>	Postavljanje ISO vrijednosti. Postavljena ISO vrijednost određuje osjetljivost na svjetlo. Što je vrijednost veća, to je slika svjetlija.
<b>AWB</b>	Podešavanje ravnoteže bijele boje za različite načine osvjetljenja scene.
<b>Način scene</b>	Žadani načini podešavanja za različite vrste scena.
<b>Oštrina</b>	Podešavanje oštine videa.
<b>Mreža</b>	Pokazuje mrežu na zaslonu za bolju kompoziciju.
<b>Filtar</b>	Odabir filtra za video.

## 6. POSTAVKE U FOTO NAČINU

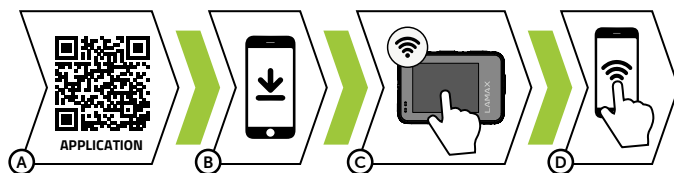
<b>Rezolucija</b>	Postavljanje rezolucije snimljenih fotografija.
<b>LDC</b>	Redukcija ribljevog oka.
<b>Mjerenje</b>	Postavljanje metode mjerenja ekspozicije. Postoje tri načina za odabir: "Centar", "Prosječno" i "Spot". <ul style="list-style-type: none"><li>➤ Središte – Ova postavka je prikladna za snimanje objekata koji će se uglavnom nalaziti u sredini kadra.</li><li>➤ Prosječno – U ovoj postavci kamera dobiva svjetlosne informacije iz cjeline scene i postavi prosječne vrijednosti.</li><li>➤ Točka – Ova postavka omogućuje mjerenje malog dijela scene, zadana postavka je sredina. Korisnik može pomoću dodirnog zaslona odabrati drugu točku iz koje kamera određuje ekspoziciju.</li></ul>
<b>Ekspozicija</b>	Postavke kompenzacije ekspozicije. Viša vrijednost znači svjetliji video, niža vrijednost znači tamniji slika.
<b>Blenda</b>	Odabir brzine blende.
<b>ISO</b>	Postavljanje ISO vrijednosti. Postavljena ISO vrijednost određuje osjetljivost na svjetlo. Što je vrijednost veća, to je slika svjetlija.
<b>AWB</b>	Podešavanje ravnoteže bijele boje za različite načine osvjetljenja scene.
<b>Način scene</b>	Zadani načini podešavanja za različite vrste scena.
<b>Oštrina</b>	Podesite oštrinu fotografije.
<b>Filter</b>	Odabir filtera za fotografije.
<b>Mreža</b>	Pokazuje mrežu na zaslonu za bolju kompoziciju.

## 7. POSTAVKE KAMERE


<b>Bežična veza</b>	Prikazuje izbornik na kojem se može uključiti/isključiti bežična veza. Pokazati informacije o bežičnoj mreži. Ili promijeniti naziv mreže ili lozinka za bežičnu mrežu.
<b>Štedilica</b>	Postavlja vrijeme nakon kojeg će se zaslon automatski isključiti radi uštede baterije. Dodirnite zaslon ili pritisnite tipke za ponovno aktiviranje zaslona.
<b>Automatsko gašenje</b>	Postavljanje kamere da se automatski isključi tijekom neaktivnosti. Kada je omogućena, značajka će isključiti kameru ako ne snima video.
<b>Jezik</b>	Izbor jezika.
<b>Oblik videozapisa</b>	Odabir kodiranja boja.
<b>Frekvencija</b>	Omogućuje odabir frekvencije u skladu s frekvencijom mreže (na europskom kontinentu mrežna struja je 50 Hz, u Americi i dijelovima Azije je 60 Hz).
<b>WDR</b>	Uključivanje/isključivanje dinamičkog raspona.
<b>Volumen</b>	Podesite glasnoću mikrofona.

<b>Zaslon za selfije</b>	Izbor između većeg i manjeg prikaza sadržaja na prednjem zaslonu.
<b>Rotacija slike</b>	Rotirajte sliku za 180°.
<b>Pečat</b>	Dodavanje vodenog žiga fotografiji i videu.
<b>Zvuk tipki</b>	Uključivanje/isključivanje zvuka tipki.
<b>Zvuk blende</b>	Uključivanje/isključivanje zvuka blende.
<b>Zvuk uključivanja</b>	Uključivanje/isključivanje tona dobrodošlice.
<b>Datum i vrijeme</b>	Podешavanje datuma i vremena sustava.
<b>SD format</b>	Formatiranje kartice.
<b>Tvorničke postavke</b>	Mogućnost vraćanja kamere na tvorničke postavke.
<b>Informacija</b>	Omogućuje pristup informacijama o firmveru fotoaparata.

## 8. WIFI - MOBILNA APLIKACIJA



Zahvaljujući mobilnoj aplikaciji, moći ćete mijenjati režime i postavke kamere ili pregledavati i preuzimati snimljena videa i fotografije izravno na vaš mobilni uređaj.

- Skenirajte QR kod za preuzimanje aplikacije ili kliknite na sljedeću poveznicu:  
<https://www.lamax-electronics.com/w102/app/>
- Instalirajte aplikaciju na svoj mobilni uređaj.
- Uključite bežičnu mrežu u kameri povlačenjem palca prema dolje i zatim pritiskom ikone bežične kamere .
- Na svom mobilnom uređaju povežite se na WiFi mrežu s nazivom kamere. WiFi lozinka prikazana je na zaslonu fotoaparata (zadano 12345678).

## 9. VODOOTPORAN

**Otpornost na uranjanje u vodu ispunjena je pod sljedećim uvjetima:**

### AKČNÍ KAMERA:

Kamera bez kućišta može izdržati ronjenje na dubinu do 12 metara. Prije ronjenja provjerite da su poklopci na bočnoj i donjoj strani kamere dobro zatvoreni. Poklopci i brtve moraju biti bez nečistoća kao što su prašina, pijesak i slično. Ne otvarajte poklopcu na kameri prije nego što se kućište kamere osuši. U slučaju upotrebe u slanoj vodi, isperite kameru vodom za piće. Za sušenje ne upotrebljavajte nikakve tekstilne tkanine ili vanjske izvore topline (sušilo za kosu, mikrovalnu pećnicu i sl.) već ostavite kameru da se polako osuši.

### VODOOTPORNO KUĆIŠTE:

Kućište može izdržati uranjanje do dubine od 40 metara. Prije korištenja kamere u kućištu, provjerite jesu li stražnja vrata kućišta dobro zatvorena pomoću mehanizma na vrhu kućišta. Vrata kućišta i brtva moraju biti čisti od svih nečistoća kao što su prašina, pijesak i slično. Kada koristite u slanoj vodi, isperite kućište pitkom vodom. Ne koristite nikakve tekstilne materijale ili vanjske izvore topline (sušilo za kosu, mikrovalnu pećnicu, itd.) za

sušenje, uvijek pustite da se kućište polako suši. Ako se koristi voodootporno kućište, zaslon osjetljiv na dodir na zaslonu fotoaparata ne može se koristiti i fotoaparatom se mora upravljati pomoću gumba.

### **DALJINSKI UPRAVLJAČ:**

Daljinski upravljač može izdržati ronjenje na dubinu do 2 metra. Prije ronjenja provjerite da je poklopac USB-a na donjoj strani daljinskog upravljača dobro zatvoren. Ne otvarajte poklopac prije nego što se kućište daljinskog upravljača osuši. Za sušenje ne upotrebljavajte vanjske izvore topline (sušilo za kosu, mikrovalnu pećnicu i sl.) već ostavite daljinski upravljač da se polako osuši ili za sušenje upotrijebite meku tekstilnu tkaninu.

## **10. SIGURNOSNE MJERE**

**Prije prve uporabe potrošač je dužan upoznati se s načelima sigurne uporabe proizvoda.**

### **PRAVILA I OBAVIJESTI**

- Kako biste osigurali vlastitu sigurnost, nemojte koristiti kontrole ovog uređaja tijekom vožnje.
- Kada koristite diktafon u automobilu, neophodan je držač za prozor. Postavite diktafon na prikladno mjesto tako da ne ometa pogled vozača ili aktiviranje sigurnosnih značajki (npr. zračnih jastuka).
- Objektiv fotoaparata ne smije biti blokiran ničim i u blizini objektiva ne smije biti nikakvog reflektirajućeg materijala. Održavajte leću čistom.
- Ako je vjetrobransko staklo automobila zatamnjeno reflektirajućim slojem, to može ograničiti kvalitetu snimanja.

### **SIGURNOSNA NAČELA**

- Nemojte koristiti punjač u vrlo vlažnom okruženju. Nikada nemojte dirati punjač mokrim rukama ili dok stojite u vodi.
- Kada napajate uređaj ili punite bateriju, ostavite dovoljno prostora oko punjača za cirkulaciju zraka. Ne prekrivajte punjač papirima ili drugim predmetima koji bi mogli ometati njegovo hlađenje. Nemojte koristiti punjač pohranjen u transportnom pakiranju.
- Spojite punjač na odgovarajući izvor napona. Podaci o naponu navedeni su na kućištu proizvoda ili pakiranju.
- Nemojte koristiti punjač ako je očito oštećen. Ako je uređaj oštećen, nemojte ga sami popravljati!
- U slučaju pretjeranog zagrijavanja, odmah isključite uređaj iz napajanja.
- Puniti uređaj pod nadzorom.
- Pakiranje sadrži sitne dijelove koji mogu biti opasni za djecu. Proizvod uvijek čuvajte izvan dohvata djece. Vrećice ili mnogi dijelovi koje sadrže mogu uzrokovati gušenje ako se progutaju ili prislone na glavu.

### **OBAVIJEST O SIGURNOSTI ZA LI-ION BATERIJE**


- Potpuno napunite bateriju prije prve uporabe.
- Za punjenje koristite samo punjač koji je predviđen za ovu vrstu baterije.
- Koristite standardne kabele za punjenje, inače se uređaj može oštetiti.
- Nikada ne priključujte mehanički oštećene ili natečene baterije na punjač. Nemojte uopće koristiti bateriju u ovom stanju, postoji opasnost od eksplozije.
- Nemojte koristiti oštećeni adapter ili punjač.
- Puniti na sobnoj temperaturi, nikad ne puniti ispod 0 °C ili iznad 40 °C.
- Pazite na padove, nemojte bušiti ili na drugi način oštetiti bateriju. Nikada ne popravljajte oštećenu bateriju.
- Ne izlažite punjač ili bateriju vlazi, vodi, kiši, snijegu ili raznim sprejevima.
- Ne ostavljajte bateriju u vozilu, ne izlažite je sunčevoj svjetlosti i ne stavljajte je blizu izvora topline. Jaka svjetlost ili visoke temperature mogu oštetiti bateriju.
- Nikada ne ostavljajte baterije bez nadzora tijekom punjenja, kratki spoj ili slučajno prekomjerno punjenje (baterije koja nije prikladna za brzo punjenje ili je napunjena prekomjernom strujom ili u slučaju kvara punjača) može uzrokovati curenje agresivnih kemikalija, eksploziju ili naknadni požar!
- Ako se baterija pregrije tijekom punjenja, odmah odspojite bateriju.
- Tijekom punjenja nemojte stavljati punjač i napunjenu bateriju na ili blizu zapaljivih predmeta. Obratite pozornost na zavjese, tepihe, stolnjake itd.

- Nakon što je uređaj za punjenje potpuno napunjen, isključite ga iz utičnice radi sigurnosti.
- Držite bateriju izvan dohvata djece i životinja.
- Nikada nemojte rastavljati punjač ili bateriju.
- Ako je baterija integrirana, nikada ne rastavljajte uređaj osim ako nije drugačije navedeno. Svaki takav pokušaj je riskantan i može dovesti do oštećenja proizvoda i kasnijeg gubitka jamstva.
- Istrošene ili oštećene baterije ne bacajte u kantu za smeće, vatru ili u uređaje za grijanje, već ih predajte na sabirnim mjestima opasnog otpada.

## ODRŽAVANJE UREĐAJA

- Dobro održavanje ovog uređaja osigurat će nesmetan rad i smanjiti rizik od oštećenja.
- Držite uređaj podalje od ekstremne vlage i temperatura i nemojte ga izlagati izravnoj sunčevoj svjetlosti ili ultraljubičastom zračenju dulje vrijeme.
- Ne ispuštajte uređaj i ne izlažite ga jakim udarcima.
- Ne izlažite uređaj naglim i naglim promjenama temperature. To može uzrokovati kondenzaciju vlage unutar uređaja, što može oštetiti uređaj. U slučaju da dođe do kondenzacije vlage, ostavite uređaj da se potpuno osuši prije daljnje uporabe.
- Površina zaslona može se lako izgubiti. Ne dirajte ga oštrim predmetima.
- Nemojte čistiti uređaj dok je uključen. Za čišćenje zaslona i vanjske površine uređaja koristite meku krpu koja ne ostavlja dlačice. Ne čistite zaslon papirnatim ručnicima.
- U principu, nemojte pokušavati rastaviti, popraviti ili modificirati uređaj na bilo koji način. Rastavljanje, modifikacija ili bilo kakav pokušaj popravka poništiti će jamstvo i može rezultirati oštećenjem uređaja ili čak osobnom ozljedom ili oštećenjem imovine.
- Nemojte skladištiti niti transportirati zapaljive tekućine, plinove ili eksplozivne materijale zajedno s uređajem, njegovim dijelovima ili priborom.
- Kako biste spriječili krađu, ne ostavljajte uređaj i dodatke bez nadzora na vidljivom mjestu u vozilu.
- Pregrijavanje može oštetiti uređaj.
- U kontaktu s jako kloriranom ili morskom vodom, isperite kameru u vodi za piće i osušite je.
- Za sušenje fotoaparata nemojte koristiti vanjski izvor topline poput mikrovalne pećnice ili sušila za kosu.
- Prije plivanja ili ronjenja uvijek provjerite jesu li vratašca baterije ili vratašca priključka za napajanje odškrinuta. Ako je tako, zatvorite ih. U suprotnom, kamera neće biti vodootporna.
- Zaslon osjetljiv na dodir brišite samo za to namijenjenom krpom i izbjegavajte ga ogrebat.

## VIŠE INFORMACIJA

1) Za kućanstva: Navedeni simbol  na proizvodu ili u popratnoj dokumentaciji znači da se iskorišteni električni ili elektronički proizvodi ne smiju odlagati zajedno s komunalnim otpadom. Kako biste pravilno zbrinuli proizvod, predajte ga na za to predviđenim sabirnim mjestima, gdje će se besplatno preuzeti. Ispravnim zbrinjavanjem ovog proizvoda pomažete u očuvanju vrijednih prirodnih resursa i pomažete u sprječavanju mogućih negativnih utjecaja na okoliš i ljudsko zdravlje koji bi mogli nastati nepravilnim odlaganjem otpada. Za dodatne pojedinosti obratite se lokalnim vlastima ili najbližem sabirnom mjestu. Nepravilno zbrinjavanje ove vrste otpada može dovesti do novčanih kazni u skladu s nacionalnim propisima. Informacije za korisnike o odlaganju električne i elektroničke opreme (upotreba u tvrtki i poslovanju): Za pravilno odlaganje električne i elektroničke opreme zatražite detaljne informacije od svog prodavača ili dobavljača. Informacije za korisnike za odlaganje električne i elektroničke opreme u drugim zemljama izvan Europske unije: Gornji simbol (precrtana kanta) vrijedi samo u zemljama Europske unije. Za ispravno zbrinjavanje električne i elektroničke opreme zatražite detaljne informacije od nadležnih tijela ili trgovca opremom. Sve je izraženo simbolom prekržižene posude na proizvodu, pakiranju ili tiskanim materijalima.

2) Podnesite zahtjev za jamstveni popravak uređaja kod svog prodavača. U slučaju tehničkih problema i pitanja obratite se svom prodavaču koji će Vas obavijestiti o daljnjem postupku. Pridržavajte se pravila za rad s električnim uređajima. Korisnik nije ovlašten rastavljati uređaj niti mijenjati bilo koji njegov dio. Prilikom otvaranja ili uklanjanja poklopca postoji opasnost od strujnog udara. Također se izlažete opasnosti od strujnog udara ako je uređaj pogrešno sastavljen i ponovno spojen.



Jamstveni rok za proizvode je 24 mjeseca, osim ako nije drugačije navedeno. Jamstvo ne pokriva oštećenja uzrokovana nestandardnom uporabom, mehaničkim oštećenjima, izlaganjem agresivnim uvjetima, rukovanjem u suprotnosti s uputama te normalnim trošenjem i habanjem. Jamstveni rok za bateriju je 24 mjeseca, za njen kapacitet 6 mjeseci. Više informacija o jamstvu možete pronaći na [www.elem6.com/warranty](http://www.elem6.com/warranty)

Proizvođač, uvoznik ili distributer neće biti odgovoran za bilo kakvu štetu nastalu ugradnjom ili zlouporabom proizvoda.

### EU IZJAVA O SUKLADNOSTI

Tvrtka elem6 s.r.o. ovime izjavljuje da je uređaj LAMAX W10.2 u skladu s osnovnim zahtjevima i drugim relevantnim odredbama Direktive 2014/30/EU i 2014/53/EU. Svi proizvodi marke LAMAX namijenjeni su prodaji bez ograničenja u Njemačkoj, Češkoj, Slovačkoj, Poljskoj, Mađarskoj i drugim zemljama članicama EU. Potpuna Izjava o sukladnosti može se preuzeti s <https://www.lamax-electronics.com/support/doc/>

- Frekvencijski pojas u kojem radio uređaj radi: 2,4 – 2,48 GHz
- Maksimalna radiofrekvencijska snaga koja se prenosi u kojem radi radijska oprema: 12,51 dBi

### PROIZVOĐAČ:

elem6 s.r.o., Braškovská 308/158, 161 00 Prag 6  
[www.lamax-electronics.com](http://www.lamax-electronics.com)



**Zadržavamo pravo na tiskarske pogreške i promjene u priručniku.**